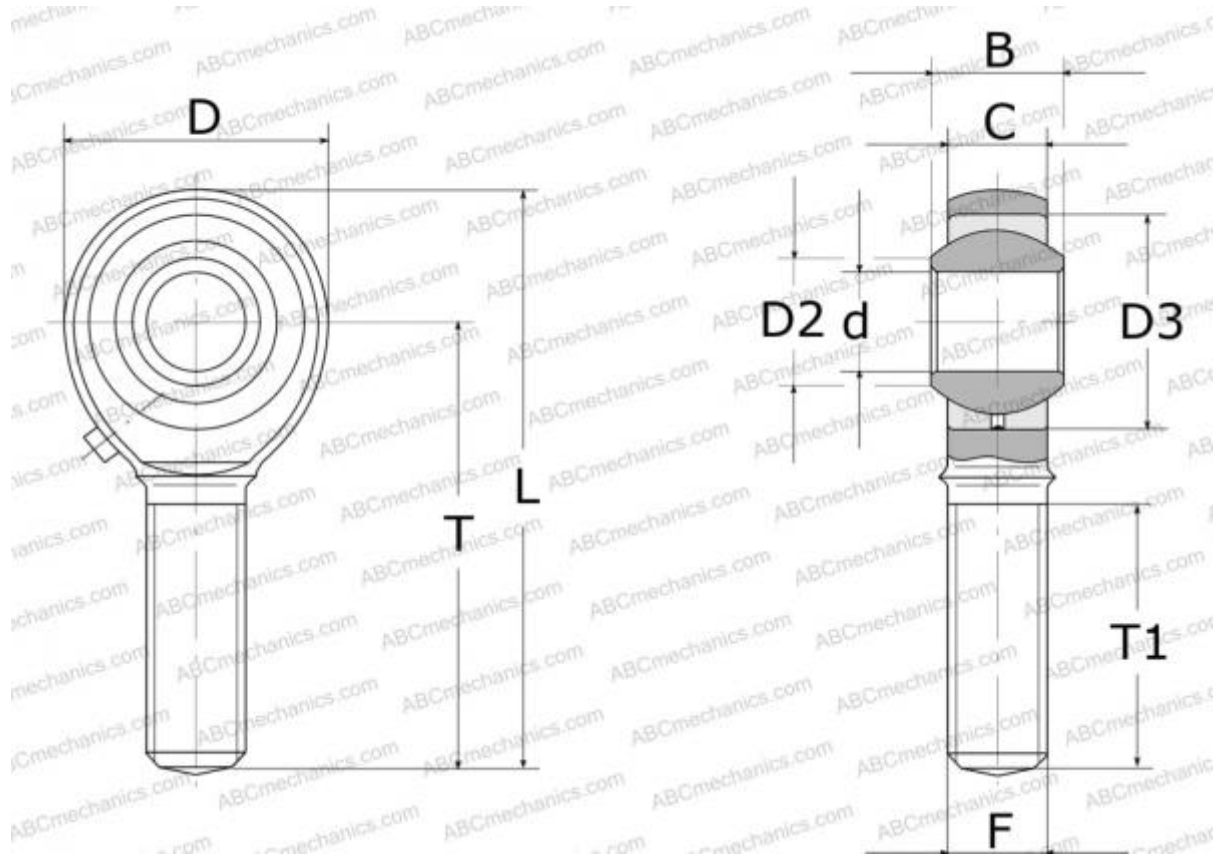


POSB 5 L ABC

Rod ends

TYPE: Plain bearings, Spherical plain bearings and rod ends, Rod ends, Requiring maintenance, With internal thread, open design, left hand thread, inch, series POSB..L



Technical specification

DIMENSIONS, MM

d	7,938
D	22,230
D2	11,350
B	11,100
L	58,720
T	47,630
T1	31,750
C	8,740
F	.3125-24UNF

WEIGHT, KG 0,037

MANUFACTURER [ABC](#)

INTERCHANGE

IKO [POSB 5 L](#)