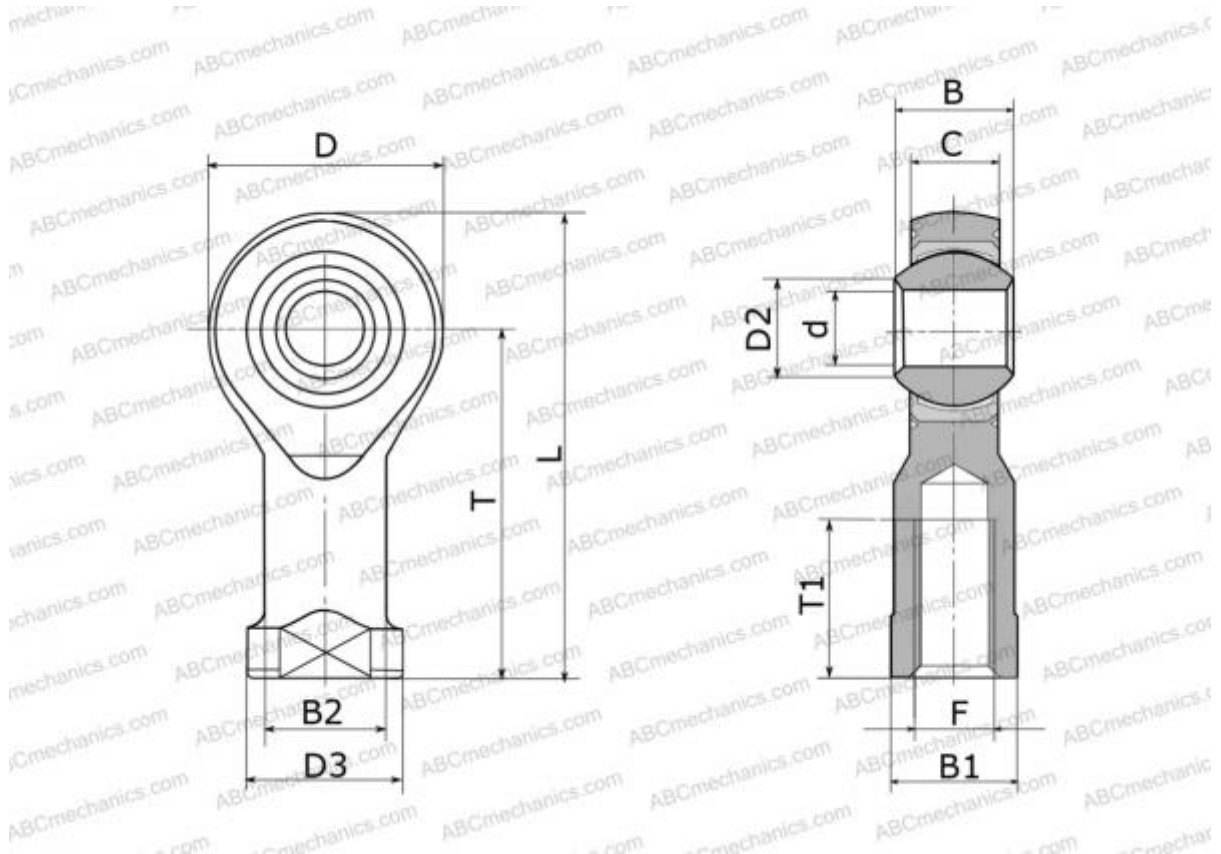


PHS 3 EC ABC

Rod ends

TYPE: Plain bearings, Spherical plain bearings and rod ends, Rod ends, Maintenance free, With internal thread, open design, right hand thread, series PHS..EC, GIKR..PW, GIKPR..PW, SIKB



Technical specification

DIMENSIONS, MM

d	3,000
D	12,000
D2	5,200
B	6,000
B1	5,500
L	27,000
T	21,000
T1	10,000
C	4,500
F	M3x0.5

WEIGHT, KG 0,006

MANUFACTURER [ABC](#)

INTERCHANGE

IKO	PHS 3 EC
HEIM	SFE3
AURORA	MW-M3T