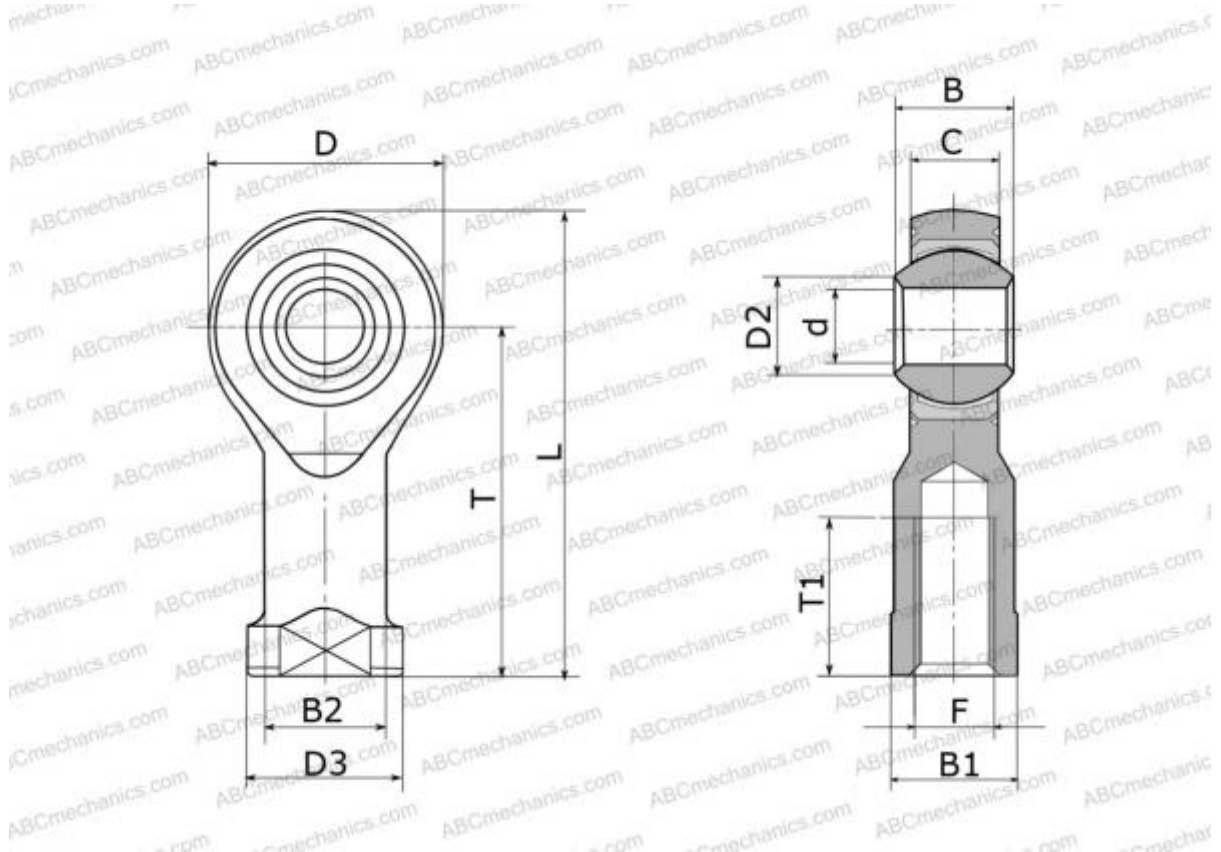


## PHS 4 EC ABC

Rod ends

TYPE: Plain bearings, Spherical plain bearings and rod ends, Rod ends, Maintenance free, With internal thread, open design, right hand thread, series PHS..EC, GIKR..PW, GIKPR..PW, SIKB



### Technical specification

#### DIMENSIONS, MM

d	4,000
D	14,000
D2	6,500
B	7,000
B1	8,000
L	31,000
T	24,000
T1	12,000
C	5,300
F	M4x0.7

**WEIGHT, KG** 0,012

**MANUFACTURER** [ABC](#)

#### INTERCHANGE

IKO	<a href="#">PHS 4 EC</a>
HEIM	<a href="#">SFE4</a>
AURORA	<a href="#">MW-M4T</a>