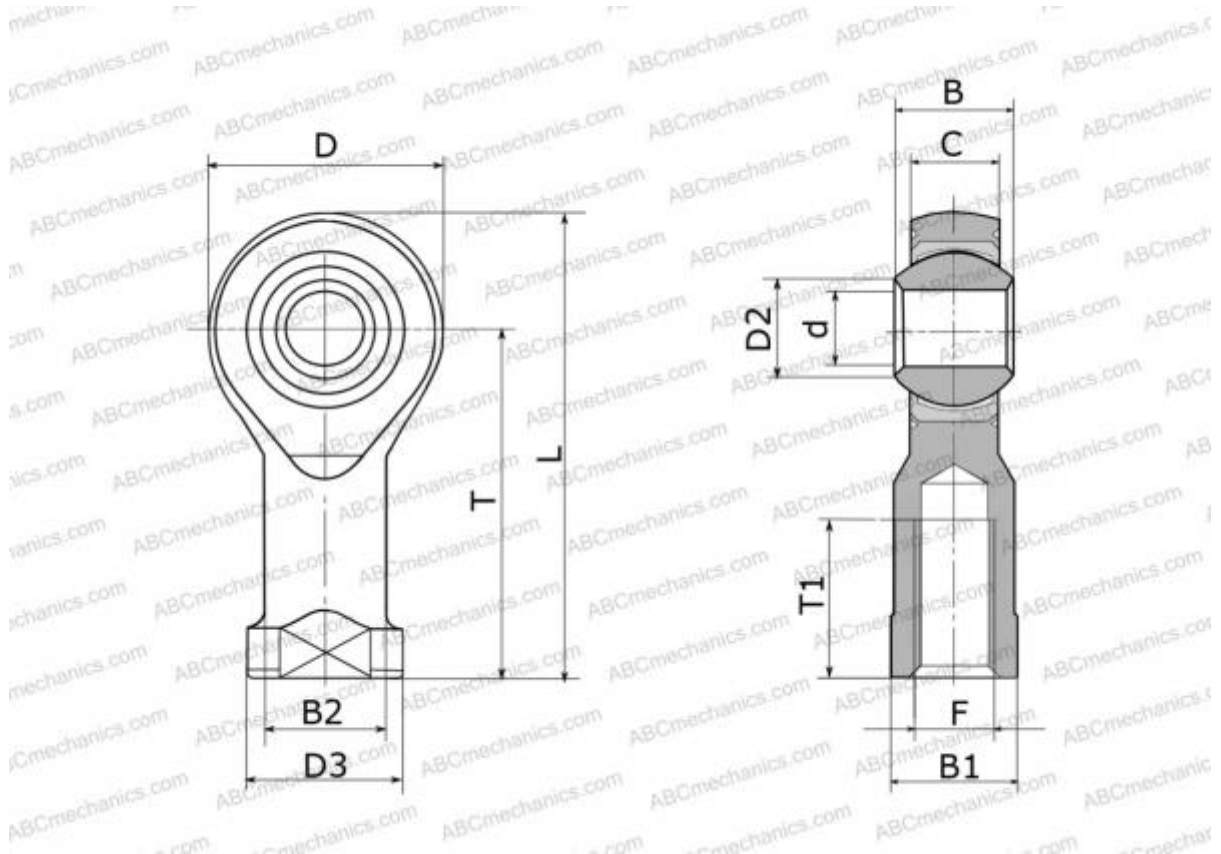


SIKB 5 F SKF

Rod ends

TYPE: Plain bearings, Spherical plain bearings and rod ends, Rod ends, Maintenance free, With internal thread, open design, right hand thread, series PHS..EC, GIKR..PW, GIKPR..PW, SIKB



Technical specification

DIMENSIONS, MM

d	5,000
D	19,000
D3	12,000
B	8,000
B1	9,000
B2	9,000
L	37,000
T	27,000
T1	8,000
C	6,000
F	M5

MANUFACTURER [SKF](#)

INTERCHANGE

ABC [PHS 5 EC](#)

INTERCHANGE

IKO	PHS 5 EC
HIRSCHMANN	SFCV 5
HEIM	SFE5
AURORA	MW-M5T

CALCULATION DATA

Basic dynamic load rating, C	3,250 kN
Basic static load rating, Co	5,300 kN