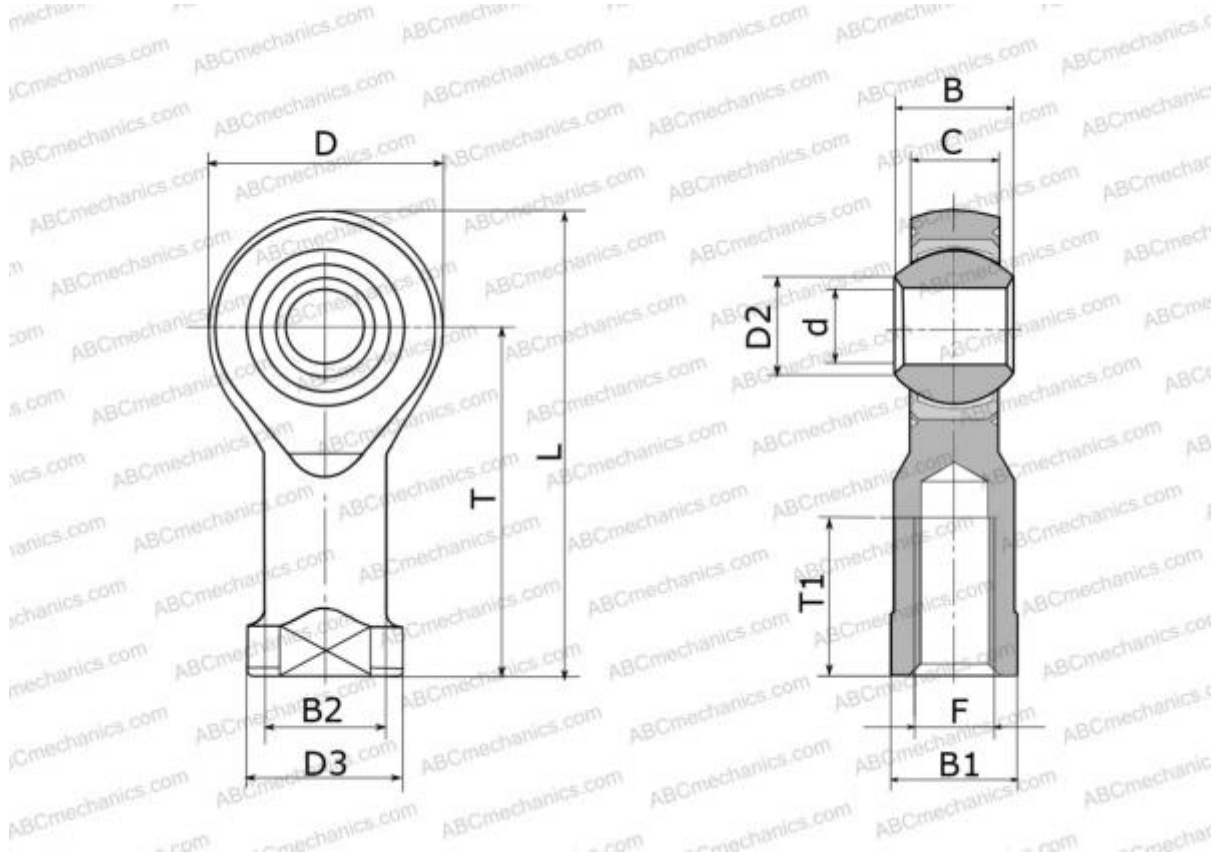


## SFCV 5 HIRSCHMANN

Rod ends

TYPE: Plain bearings, Spherical plain bearings and rod ends, Rod ends, Maintenance free, With internal thread, open design, right hand thread, series PHS..EC, GIKR..PW, GIKPR..PW, SIKB



### Technical specification

#### DIMENSIONS, MM

d	5,000
D	16,000
D2	7,700
B	8,000
B1	9,000
L	35,000
T	27,000
T1	12,500
C	6,000
F	M5x0.8

#### INTERCHANGE

SKF	<a href="#">SIKB 5 F</a>
HEIM	<a href="#">SFE5</a>
AURORA	<a href="#">MW-M5T</a>

#### MANUFACTURER

[HIRSCHMANN](#)

#### INTERCHANGE

ABC	<a href="#">PHS 5 EC</a>
IKO	<a href="#">PHS 5 EC</a>