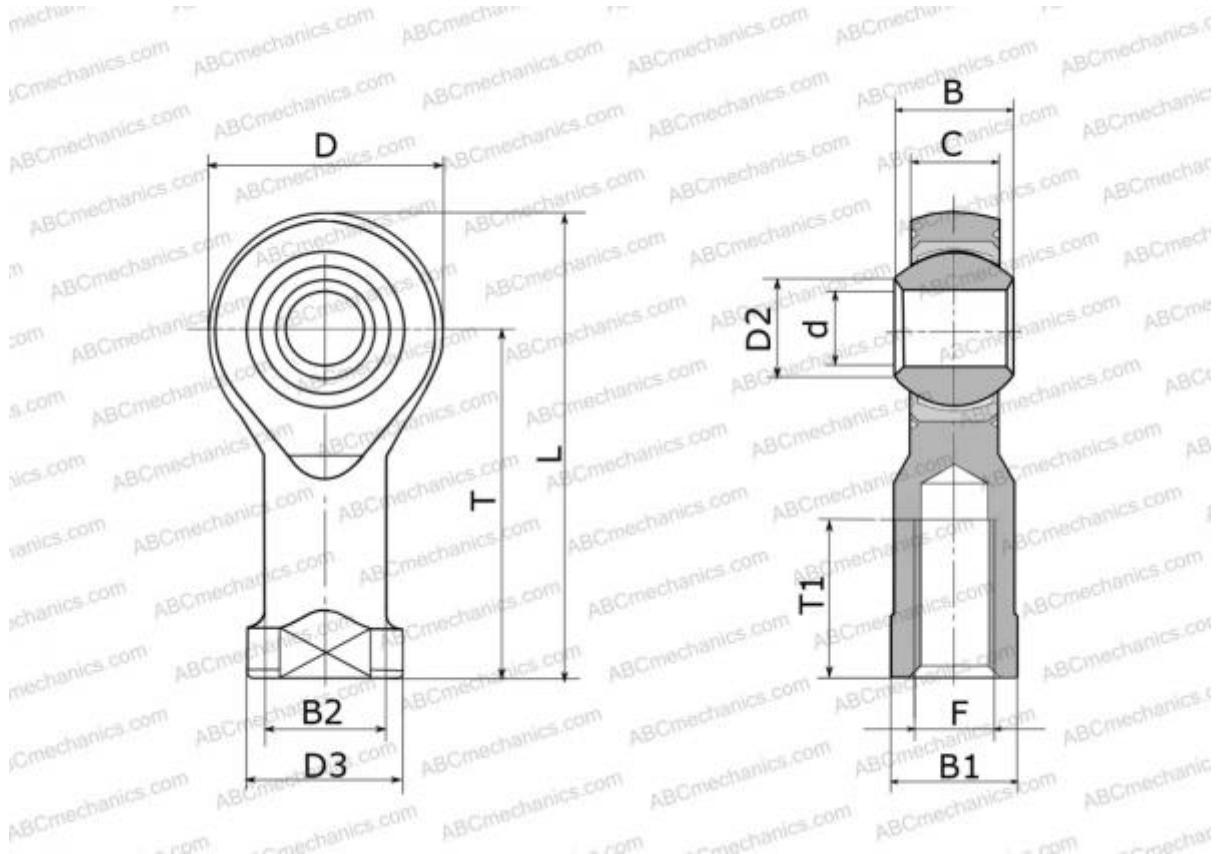


PHS 14 EC ABC

Rod ends

TYPE: Plain bearings, Spherical plain bearings and rod ends, Rod ends, Maintenance free, With internal thread, open design, right hand thread, series PHS..EC, GIKR..PW, GIKPR..PW, SIKB



Technical specification

DIMENSIONS, MM

d	14,000
D	34,000
D2	16,900
B	19,000
B1	22,000
L	74,000
T	57,000
T1	27,000
C	13,500
F	M14x2

WEIGHT, KG 0,160

MANUFACTURER [ABC](#)

INTERCHANGE

IKO	PHS 14 EC
INA	GIKR 14 PW
SKF	SIKB 14 F
HIRSCHMANN	SFCV 14
HEIM	SFE14
AURORA	MW-M14T