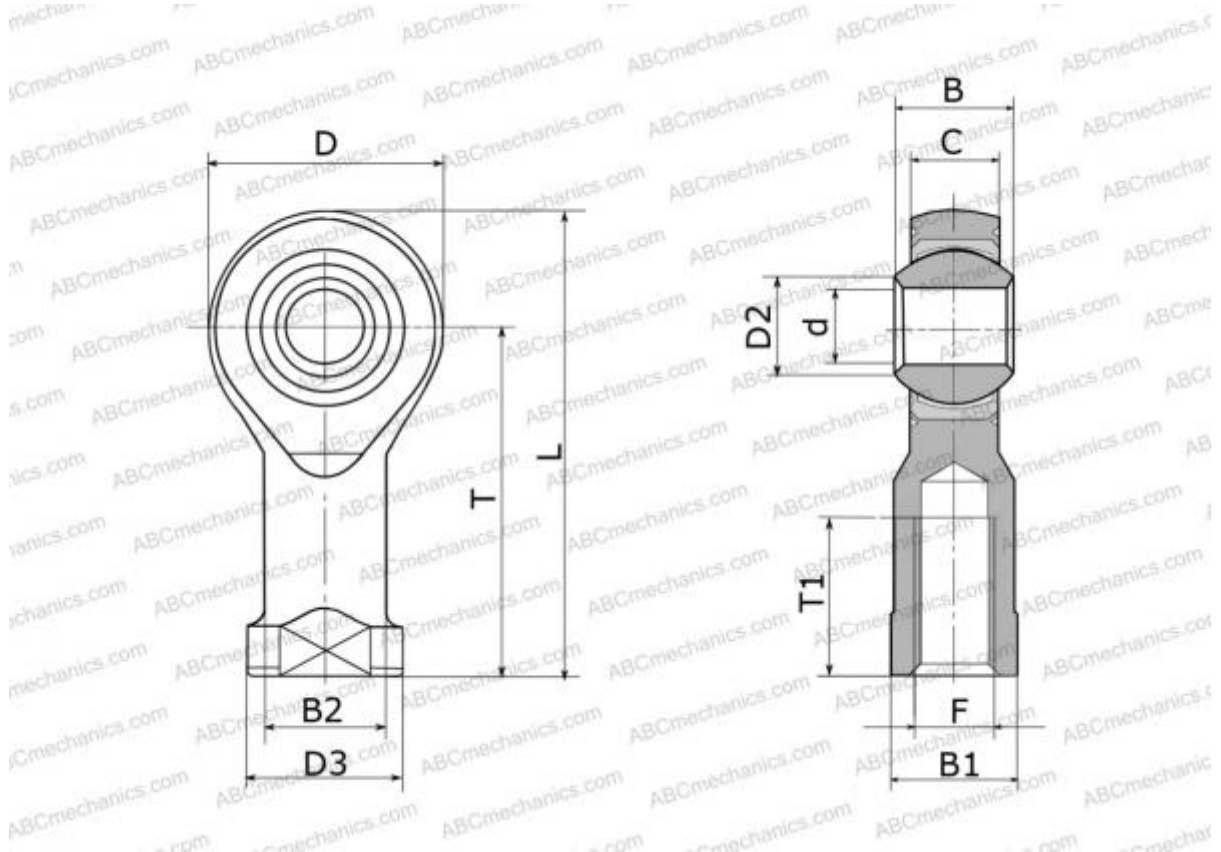


SFCV 16 HIRSCHMANN

Rod ends

TYPE: Plain bearings, Spherical plain bearings and rod ends, Rod ends, Maintenance free, With internal thread, open design, right hand thread, series PHS..EC, GIKR..-PW, GIKPR..-PW, SIKB



Technical specification

DIMENSIONS, MM

d	16,000
D	38,000
D2	19,400
B	21,000
B1	22,000
L	83,000
T	64,000
T1	33,000
C	15,000
F	M16x2

WEIGHT, KG 0,210

MANUFACTURER [HIRSCHMANN](#)

INTERCHANGE

ABC	PHS 16 EC
IKO	PHS 16 EC
INA	GIKR 16 PW
SKF	SIKB 16 F
HEIM	SFE16
AURORA	MW-M16T