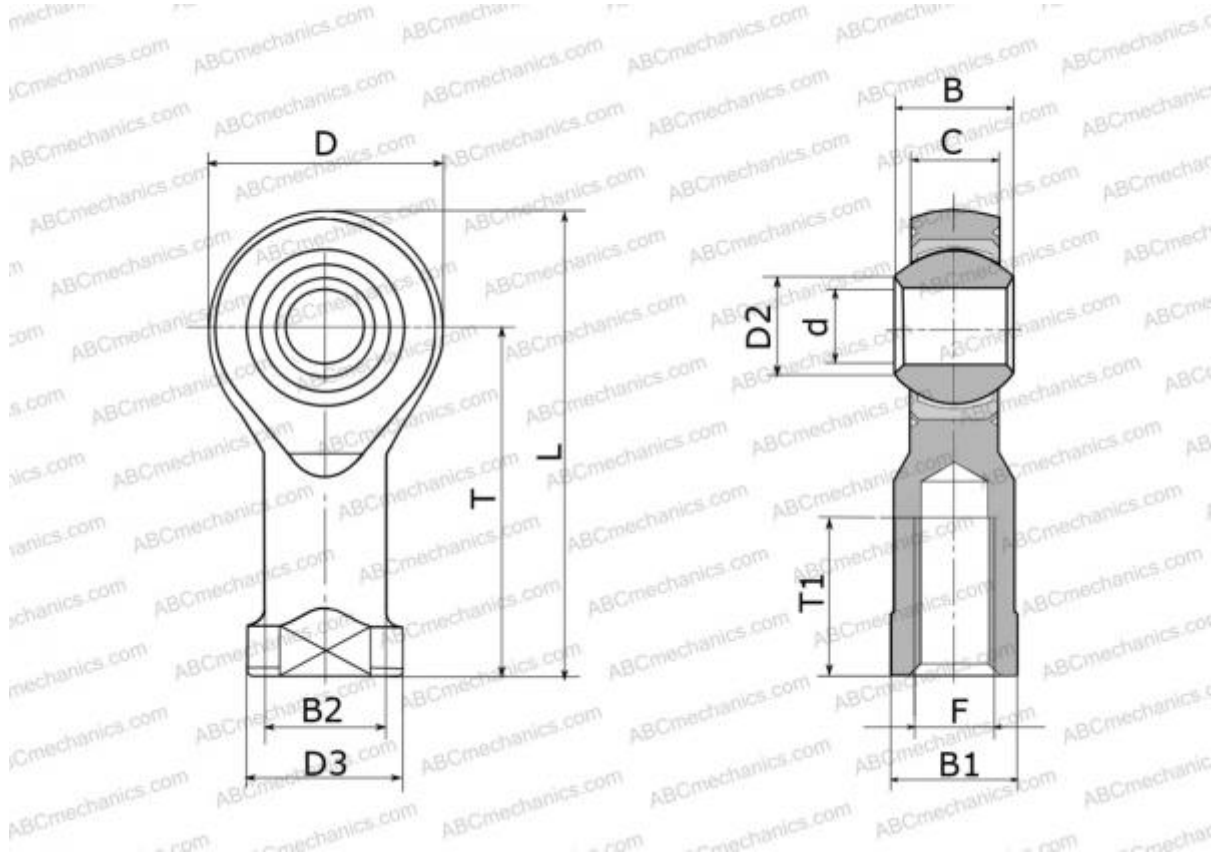


PHS 22 EC IKO

Rod ends

TYPE: Plain bearings, Spherical plain bearings and rod ends, Rod ends, Maintenance free, With internal thread, open design, right hand thread, series PHS..EC, GIKR..PW, GIKPR..PW, SIKB



Technical specification

DIMENSIONS, MM

d	22,000
D	50,000
D2	25,800
B	28,000
B1	32,000
L	109,000
T	84,000
T1	41,000
C	20,000
F	M22x1.5

WEIGHT, KG 0,490

MANUFACTURER [IKO](#)

INTERCHANGE

ABC	PHS 22 EC
SKF	SIKB 22 F
HIRSCHMANN	SFCV 22
HEIM	SFE22
AURORA	MW-M22T

CALCULATION DATA

Basic dynamic load rating, C	74,700 kN
Basic static load rating, Co	36,400 kN