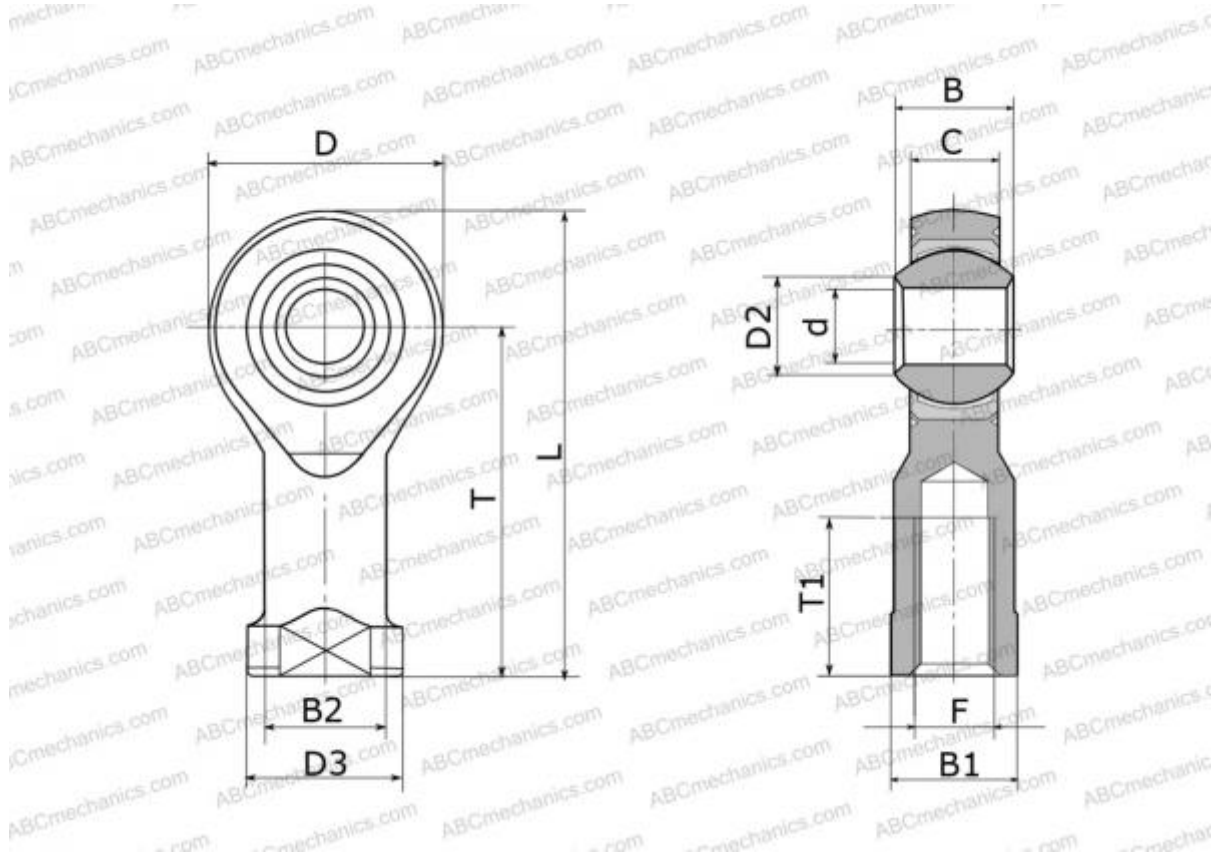


SIKB 22 F SKF

Rod ends

TYPE: Plain bearings, Spherical plain bearings and rod ends, Rod ends, Maintenance free, With internal thread, open design, right hand thread, series PHS..EC, GIKR..PW, GIKPR..PW, SIKB



Technical specification

DIMENSIONS, MM

| | |
|----|---------|
| d | 22,000 |
| D | 55,000 |
| D3 | 40,000 |
| B | 28,000 |
| B1 | 32,000 |
| B2 | 30,000 |
| L | 114,000 |
| T | 84,000 |
| T1 | 33,000 |
| C | 20,000 |
| F | M22x1.5 |

WEIGHT, KG 0,520

MANUFACTURER [SKF](#)

INTERCHANGE

| | |
|------------|---------------------------|
| ABC | PHS 22 EC |
| IKO | PHS 22 EC |
| HIRSCHMANN | SFCV 22 |
| HEIM | SFE22 |
| AURORA | MW-M22T |

CALCULATION DATA

| | |
|------------------------------|-----------|
| Basic dynamic load rating, C | 38,000 kN |
| Basic static load rating, Co | 61,000 kN |