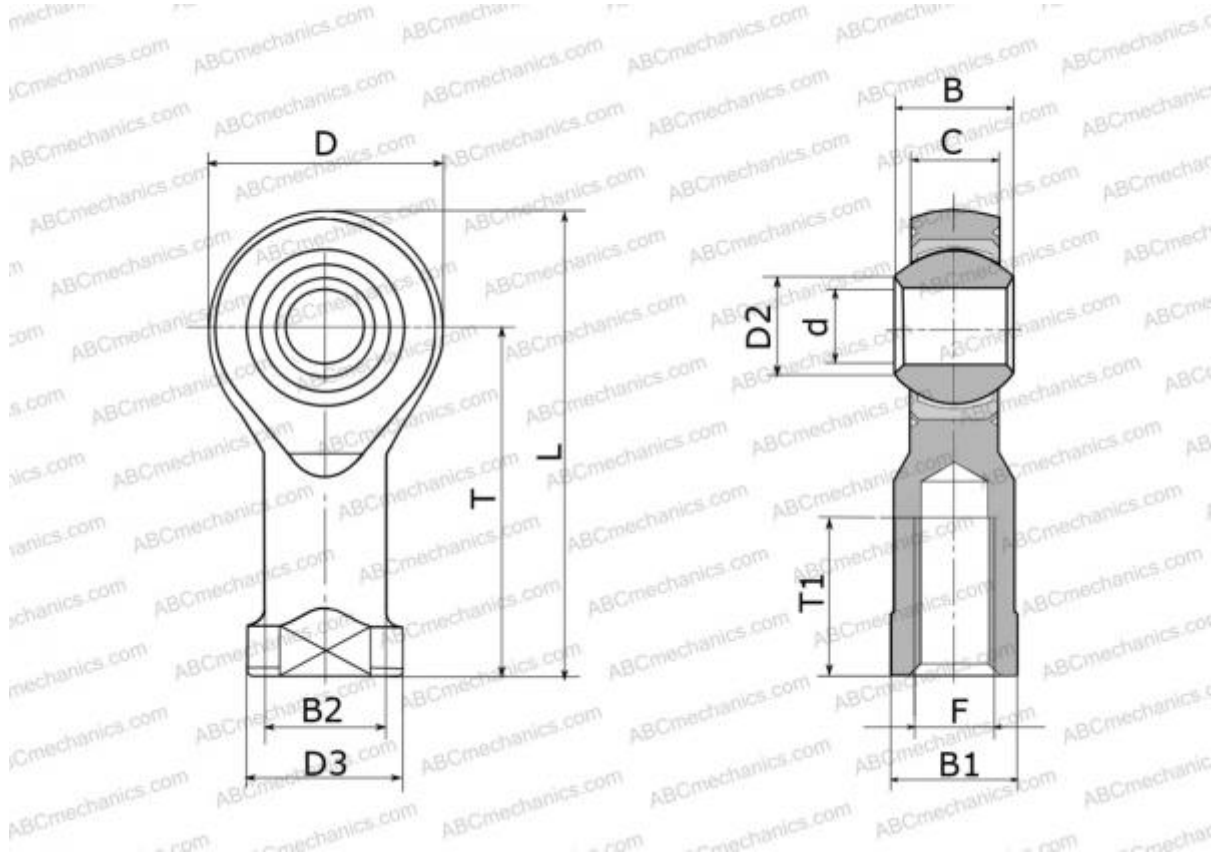


## SFCV 22 HIRSCHMANN

Rod ends

TYPE: Plain bearings, Spherical plain bearings and rod ends, Rod ends, Maintenance free, With internal thread, open design, right hand thread, series PHS..EC, GIKR..-PW, GIKPR..-PW, SIKB



### Technical specification

#### DIMENSIONS, MM

d	22,000
D	50,000
D2	25,800
B	28,000
B1	32,000
L	109,000
T	84,000
T1	41,000
C	20,000
F	M22x1.5

**WEIGHT, KG** 0,490

**MANUFACTURER** [HIRSCHMANN](#)

#### INTERCHANGE

ABC	<a href="#">PHS 22 EC</a>
IKO	<a href="#">PHS 22 EC</a>
SKF	<a href="#">SIKB 22 F</a>
HEIM	<a href="#">SFE22</a>
AURORA	<a href="#">MW-M22T</a>