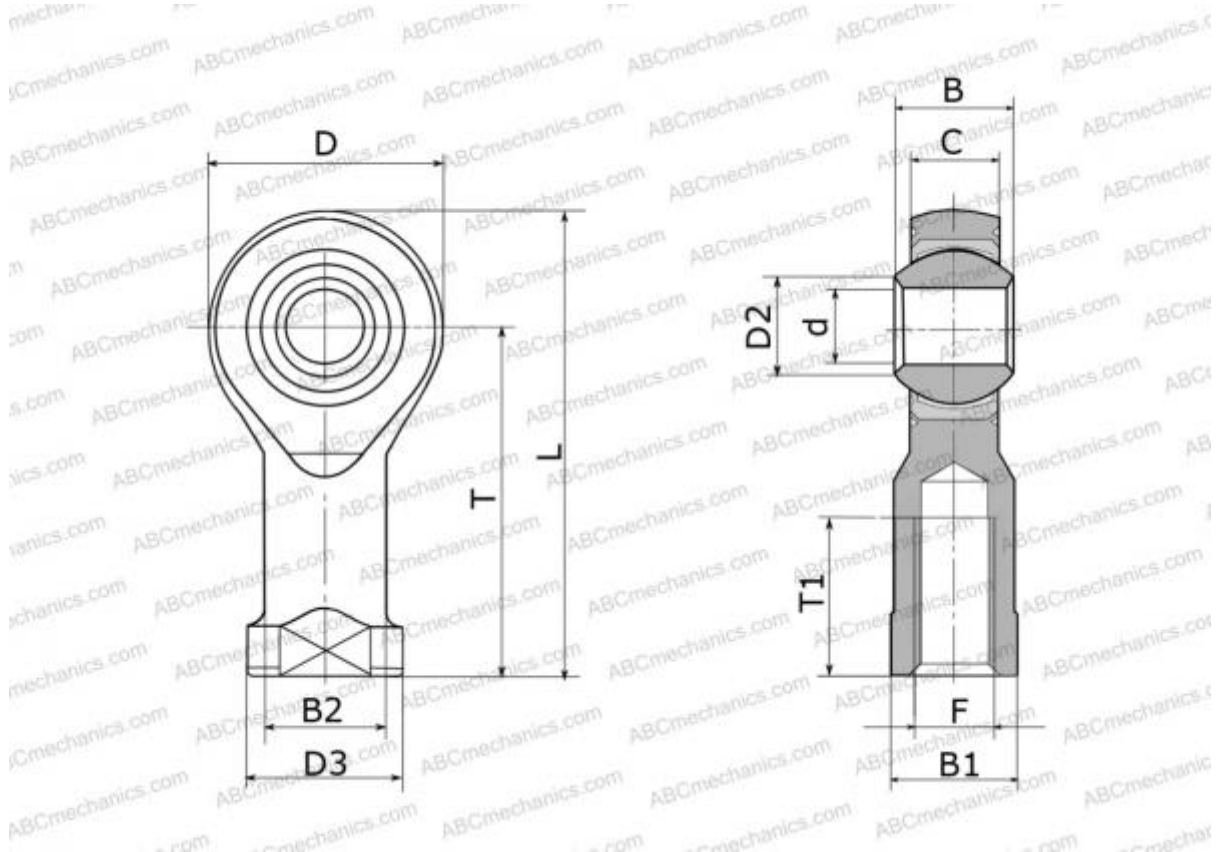


## PHS 5 ECL ABC

Rod ends

TYPE: Plain bearings, Spherical plain bearings and rod ends, Rod ends, Maintenance free, With internal thread, open design, left hand thread, series PHS..ECL, GIKL..PW, SILKB



### Technical specification

#### DIMENSIONS, MM

d	5,000
D	16,000
D2	7,700
B	8,000
B1	9,000
L	35,000
T	27,000
T1	12,500
C	6,000
F	M5x0.8

**WEIGHT, KG** 0,017

**MANUFACTURER** [ABC](#)

#### INTERCHANGE

IKO	<a href="#">PHS 5 ECL</a>
SKF	<a href="#">SILKB 5 F</a>
HEIM	<a href="#">SFLE5</a>
AURORA	<a href="#">MG-M5T</a>