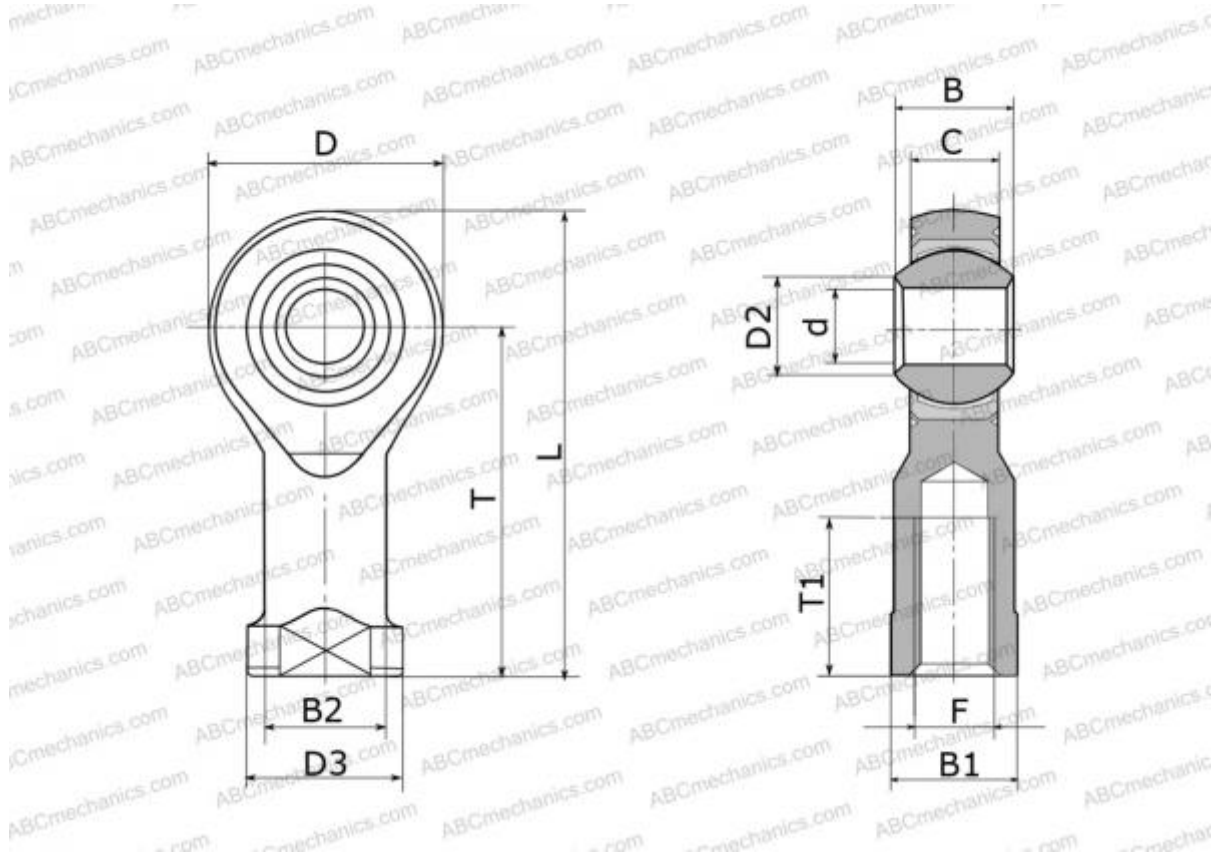


## SILKB 5 F SKF

Rod ends

TYPE: Plain bearings, Spherical plain bearings and rod ends, Rod ends, Maintenance free, With internal thread, open design, left hand thread, series PHS..ECL, GIKL..-PW, SILKB



### Technical specification

#### DIMENSIONS, MM

d	5,000
D	19,000
D3	12,000
B	8,000
B1	9,000
B2	9,000
L	37,000
T	27,000
T1	8,000
C	6,000
F	M5

**MANUFACTURER** [SKF](#)

#### INTERCHANGE

ABC [PHS 5 ECL](#)

#### INTERCHANGE

IKO	<a href="#">PHS 5 ECL</a>
HEIM	<a href="#">SFLE5</a>
AURORA	<a href="#">MG-M5T</a>

#### CALCULATION DATA

Basic dynamic load rating, C	3,250 kN
Basic static load rating, Co	5,300 kN