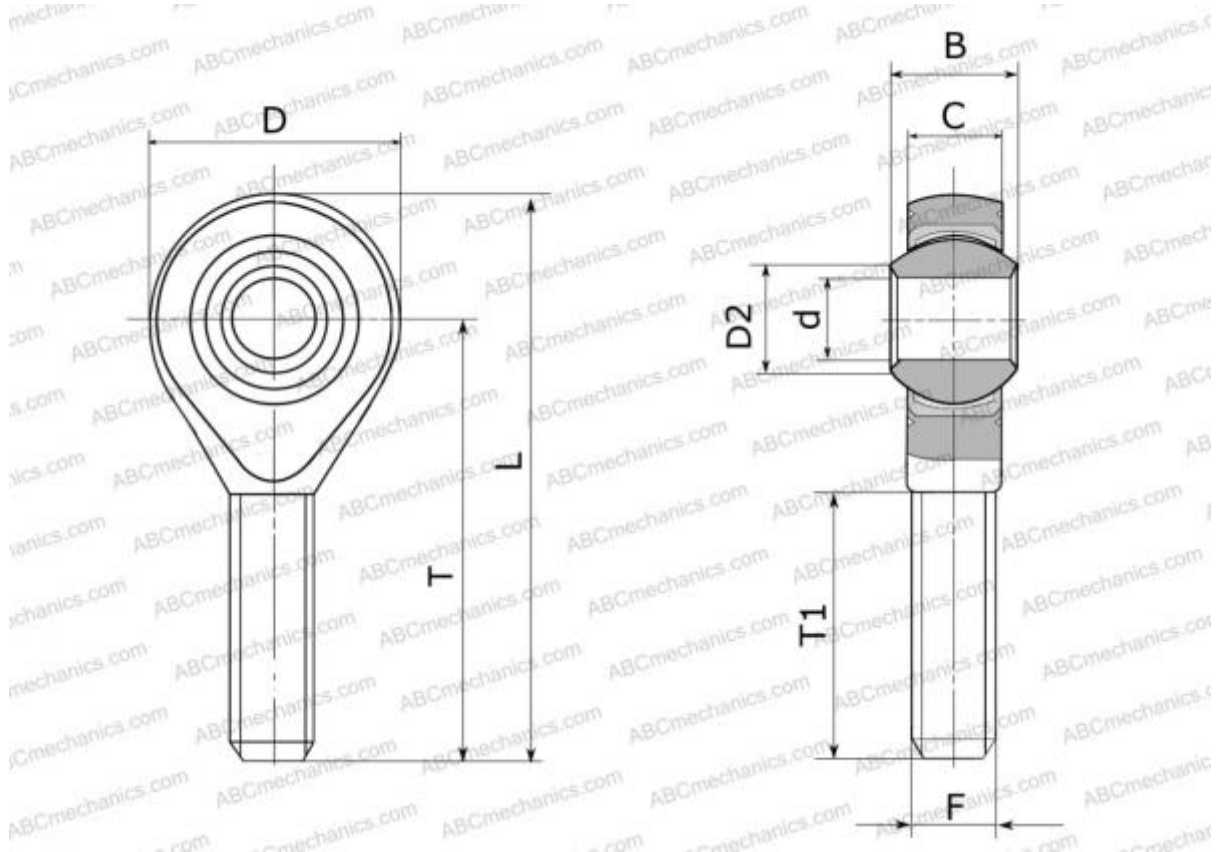


SMCV 5 HIRSCHMANN

Rod ends

TYPE: Plain bearings, Spherical plain bearings and rod ends, Rod ends, Maintenance free, With internal thread, open design, right hand thread, series POS..EC, GAKR..PW, SAKB



Technical specification

DIMENSIONS, MM

d	5,000
D	16,000
D2	7,700
B	8,000
L	41,000
T	33,000
T1	20,000
C	6,000
F	M5x0.8

INTERCHANGE

SKF	SAKB 5 F
HEIM	SME5
AURORA	MM-M5T

MANUFACTURER

[HIRSCHMANN](#)

INTERCHANGE

ABC	POS 5 EC
IKO	POS 5 EC
INA	GAKR 5 PW