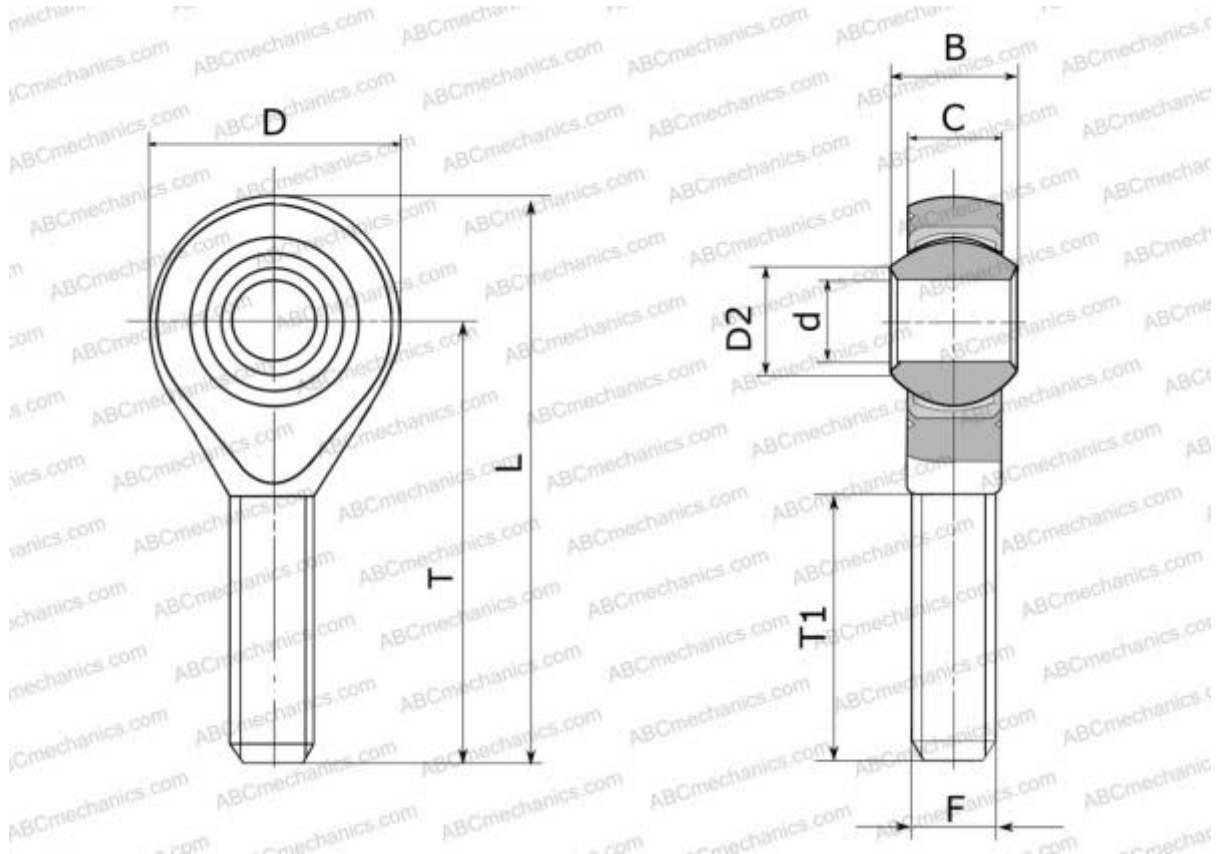


## SMCV 20 HIRSCHMANN

Rod ends

TYPE: Plain bearings, Spherical plain bearings and rod ends, Rod ends, Maintenance free, With internal thread, open design, right hand thread, series POS..EC, GAKR..PW, SAKB



### Technical specification

#### DIMENSIONS, MM

d	20,000
D	46,000
D2	24,400
B	25,000
L	101,000
T	78,000
T1	47,000
C	18,000
F	M20x1.5

**WEIGHT, KG** 0,340

**MANUFACTURER** [HIRSCHMANN](#)

#### INTERCHANGE

ABC	<a href="#">POS 20 EC</a>
-----	---------------------------

#### INTERCHANGE

IKO	<a href="#">POS 20 EC</a>
INA	<a href="#">GAKR 20 PW</a>
SKF	<a href="#">SAKB 20 F</a>
HEIM	<a href="#">SME20</a>
AURORA	<a href="#">MM-M20T</a>