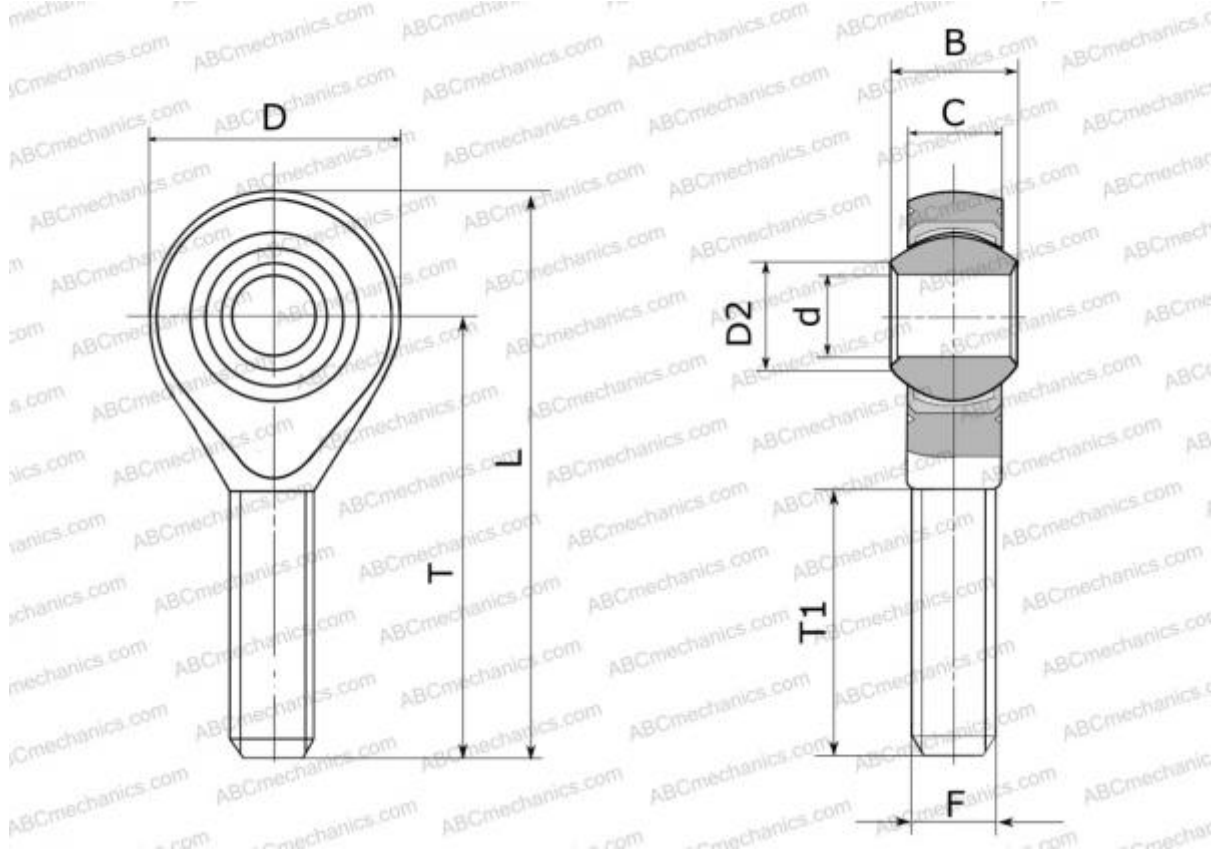


## POS 4 ECL IKO

Rod ends

TYPE: Plain bearings, Spherical plain bearings and rod ends, Rod ends, Maintenance free, With internal thread, open design, left hand thread, series POS..ECL, GAKL..PW, SALKB



### Technical specification

#### DIMENSIONS, MM

d	4,000
D	14,000
D2	6,500
B	7,000
L	37,000
T	30,000
T1	17,000
C	5,300
F	M4x0.7

**WEIGHT, KG** 0,008

**MANUFACTURER** [IKO](#)

#### INTERCHANGE

ABC [POS 4 ECL](#)

#### INTERCHANGE

HEIM	<a href="#">SMLE4</a>
AURORA	<a href="#">MB-M4T</a>

#### CALCULATION DATA

Basic dynamic load rating, C	4,950 kN
Basic static load rating, Co	2,060 kN