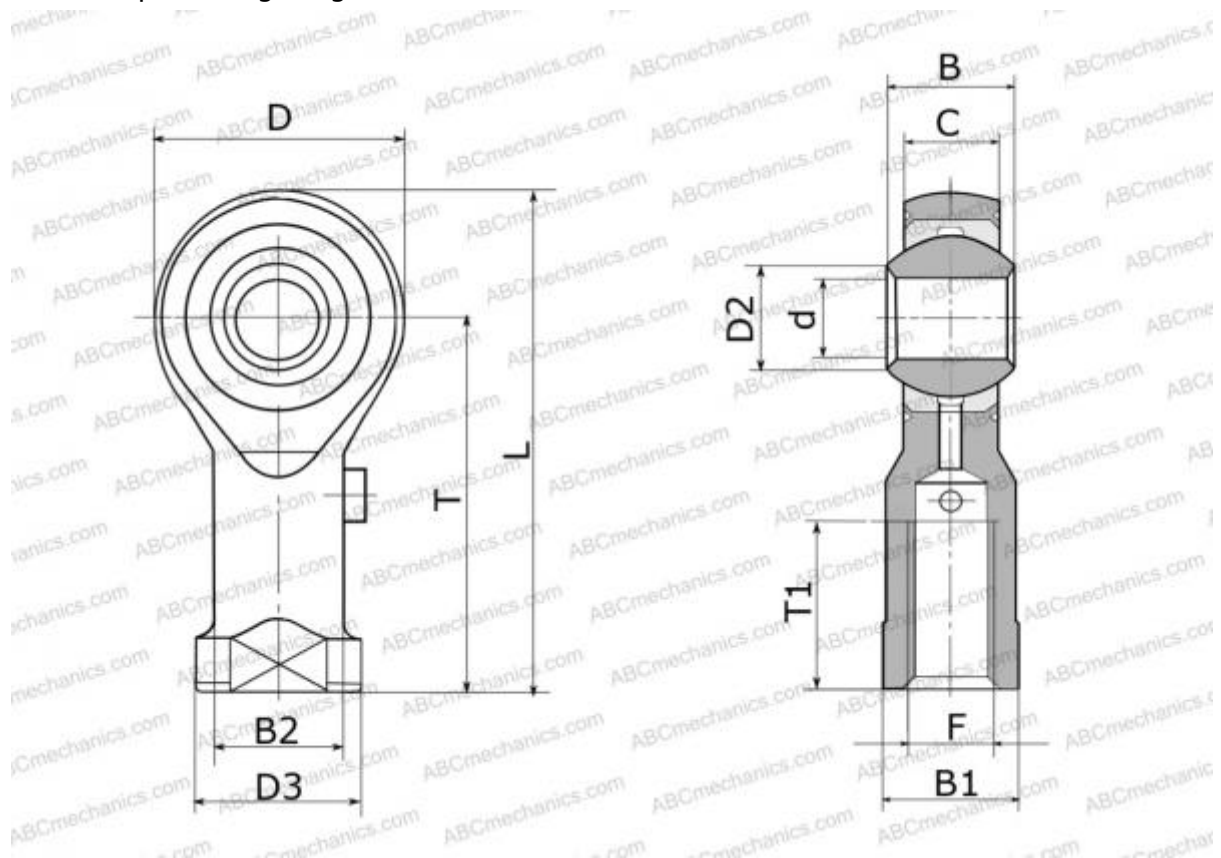


## PHSA 5 IKO

Rod ends

TYPE: Plain bearings, Spherical plain bearings and rod ends, Rod ends, Requiring maintenance, With internal thread, open design, right hand thread, series PHSA (IKO)



### Technical specification

#### DIMENSIONS, MM

d	5,000
D	17,000
D2	7,700
B	8,000
L	35,500
T	27,000
T1	16,000
C	6,000
F	M5x0.8

**MANUFACTURER** [IKO](https://www.iko.com)

#### CALCULATION DATA

Basic static load rating, Co	5,470 kN
------------------------------	----------