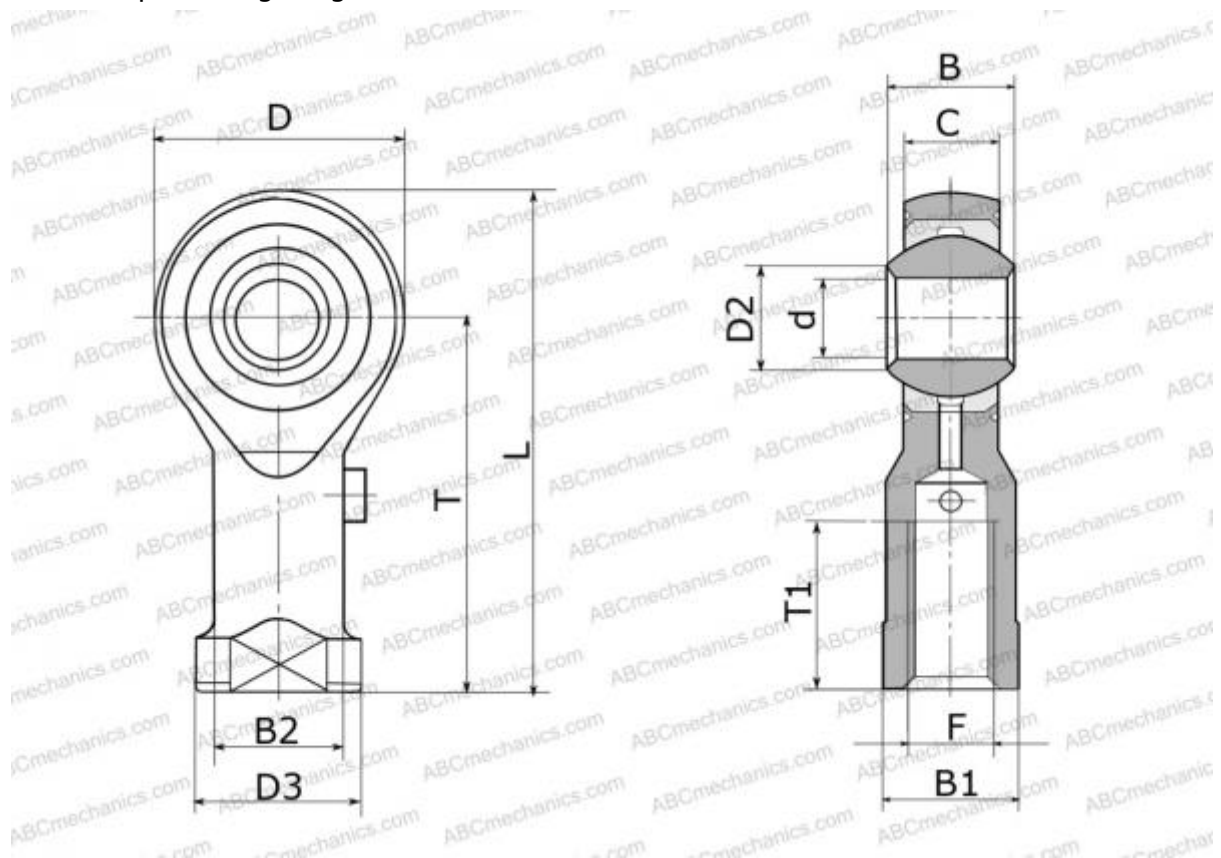


## PHSA 10 IKO

Rod ends

TYPE: Plain bearings, Spherical plain bearings and rod ends, Rod ends, Requiring maintenance, With internal thread, open design, right hand thread, series PHSA (IKO)



### Technical specification

#### DIMENSIONS, MM

d	10,000
D	28,000
D2	12,900
B	14,000
L	57,000
T	43,000
T1	23,000
C	10,500
F	M10x1.5

**MANUFACTURER** [IKO](https://www.iko.com)

#### CALCULATION DATA

Basic static load rating, Co	13,100 kN
------------------------------	-----------