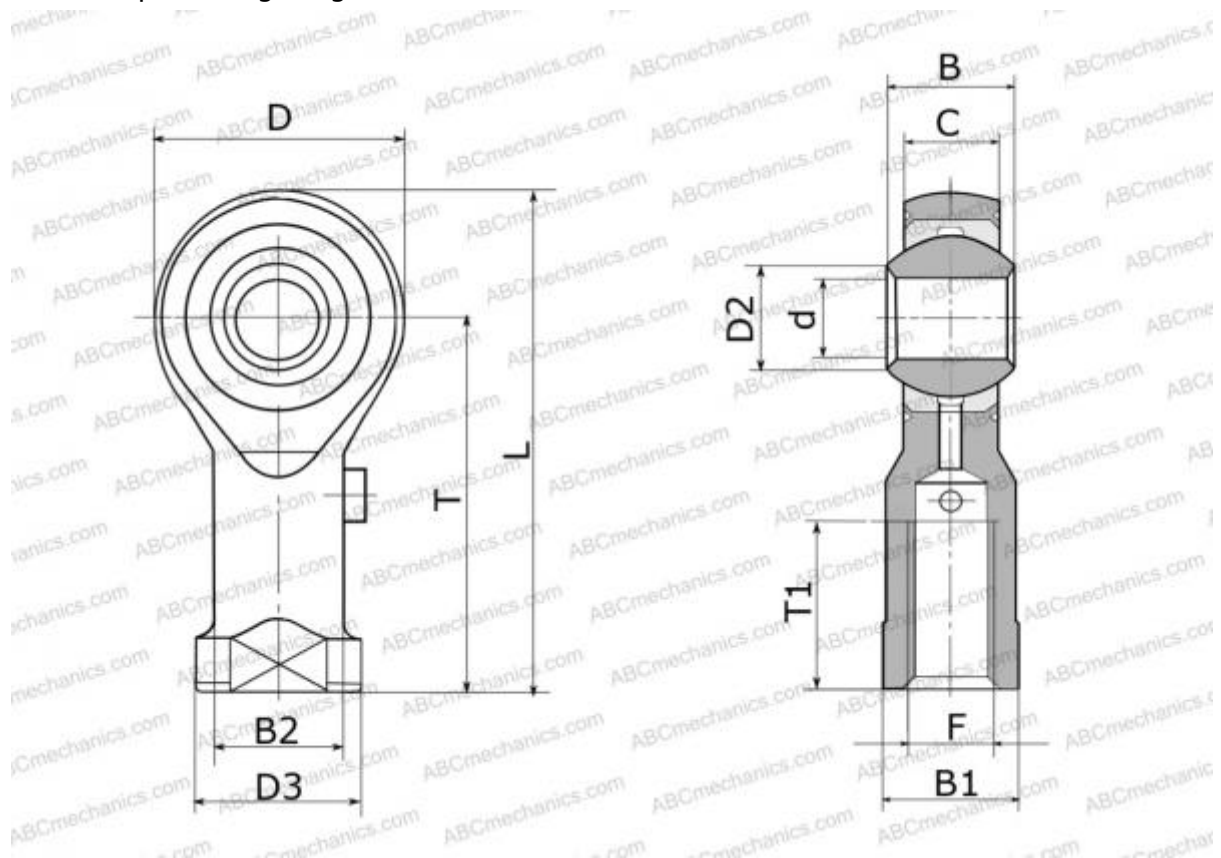


PHSA 18 IKO

Rod ends

TYPE: Plain bearings, Spherical plain bearings and rod ends, Rod ends, Requiring maintenance, With internal thread, open design, right hand thread, series PHSA (IKO)



Technical specification

DIMENSIONS, MM

d	18,000
D	45,000
D2	21,900
B	23,000
L	93,500
T	71,000
T1	40,000
C	16,500
F	M18x1.5

MANUFACTURER [IKO](https://www.iko.com)

CALCULATION DATA

Basic static load rating, Co	28,800 kN
------------------------------	-----------