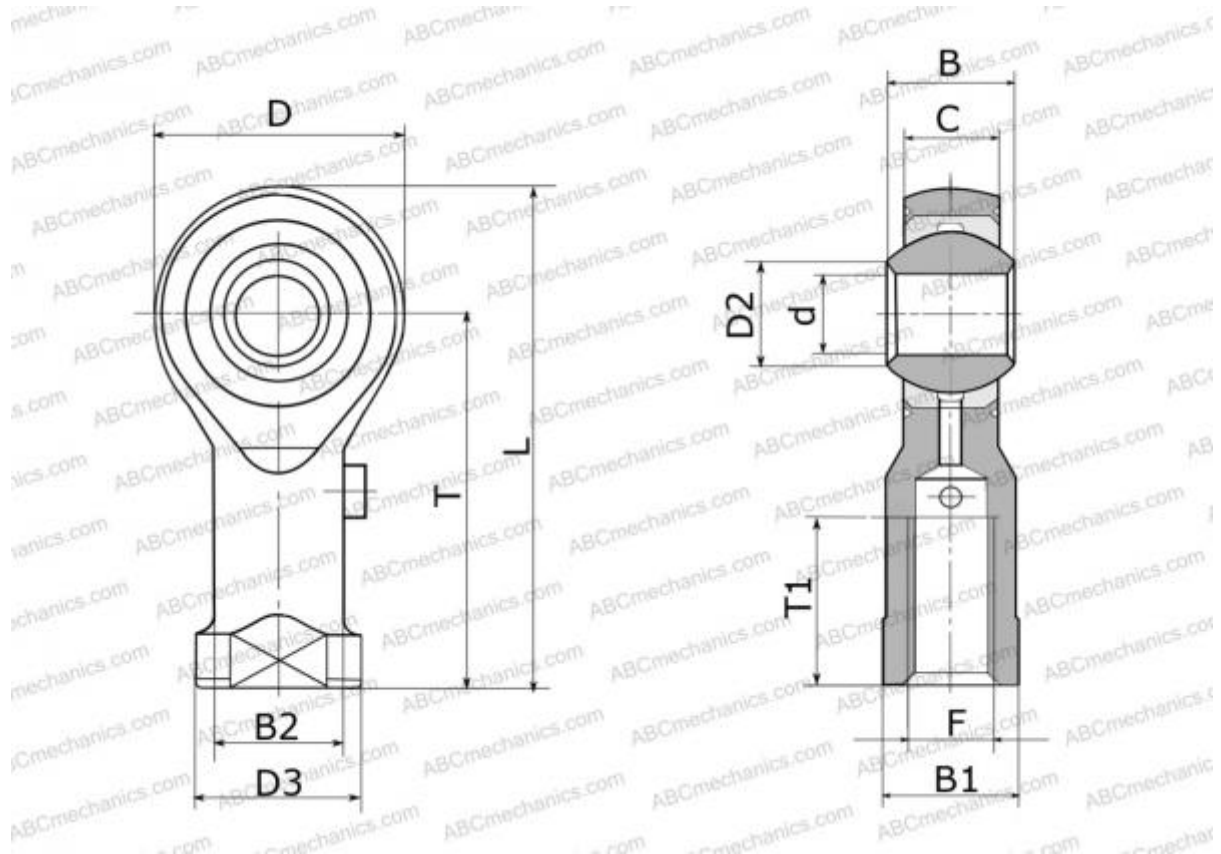


PHSA 10 L IKO

Rod ends

TYPE: Plain bearings, Spherical plain bearings and rod ends, Rod ends, Requiring maintenance, With internal thread, open design, left hand thread, series PHSA..L (IKO)



Technical specification

DIMENSIONS, MM

| | |
|----|---------|
| d | 10,000 |
| D | 28,000 |
| D2 | 12,900 |
| B | 14,000 |
| L | 57,000 |
| T | 43,000 |
| T1 | 23,000 |
| C | 10,500 |
| F | M10x1.5 |

WEIGHT, KG 0,070

MANUFACTURER [IKO](#)

CALCULATION DATA

Basic static load rating, Co 13,100 kN