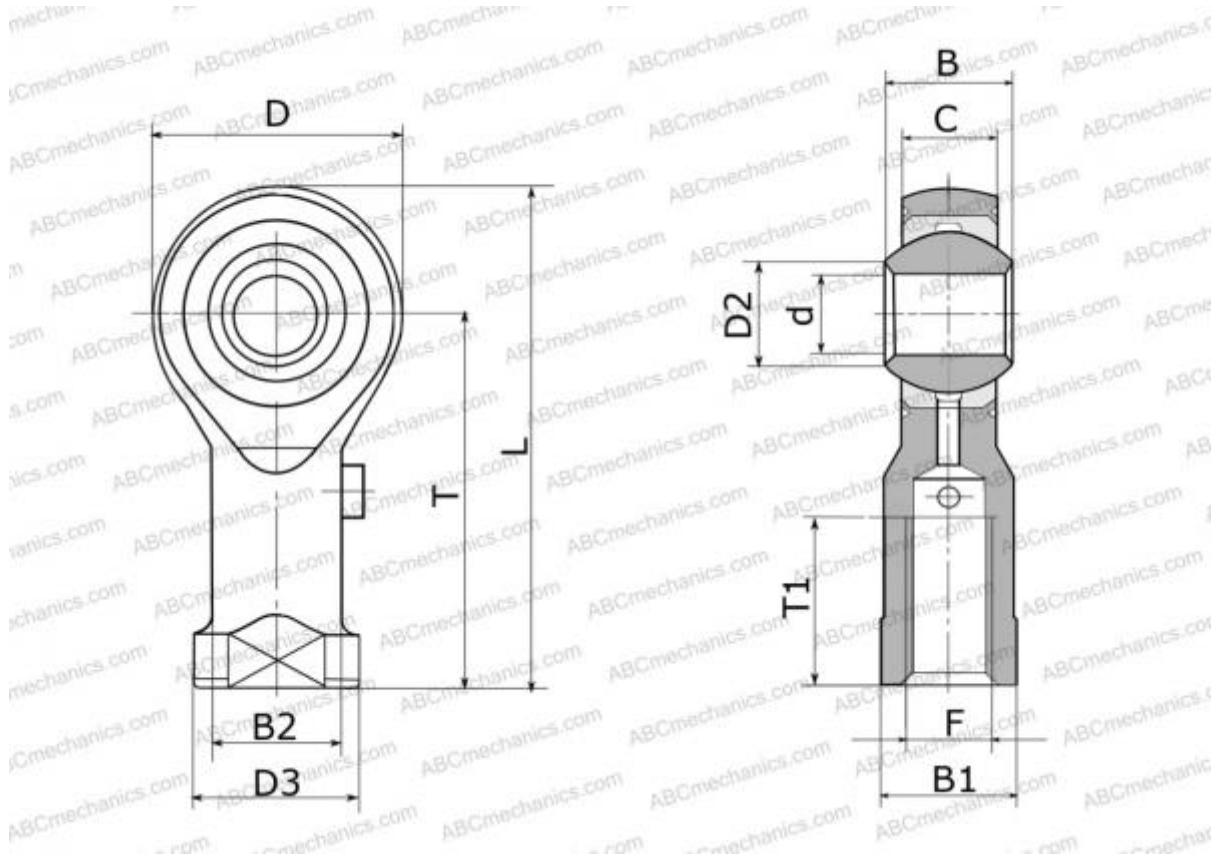


PHSA 12 L IKO

Rod ends

TYPE: Plain bearings, Spherical plain bearings and rod ends, Rod ends, Requiring maintenance, With internal thread, open design, left hand thread, series PHSA..L (IKO)



Technical specification

DIMENSIONS, MM

d	12,000
D	32,000
D2	15,400
B	16,000
L	66,000
T	50,000
T1	27,000
C	12,000
F	M12x1.75

WEIGHT, KG 0,105

MANUFACTURER [IKO](#)

CALCULATION DATA

Basic static load rating, Co 16,400 kN