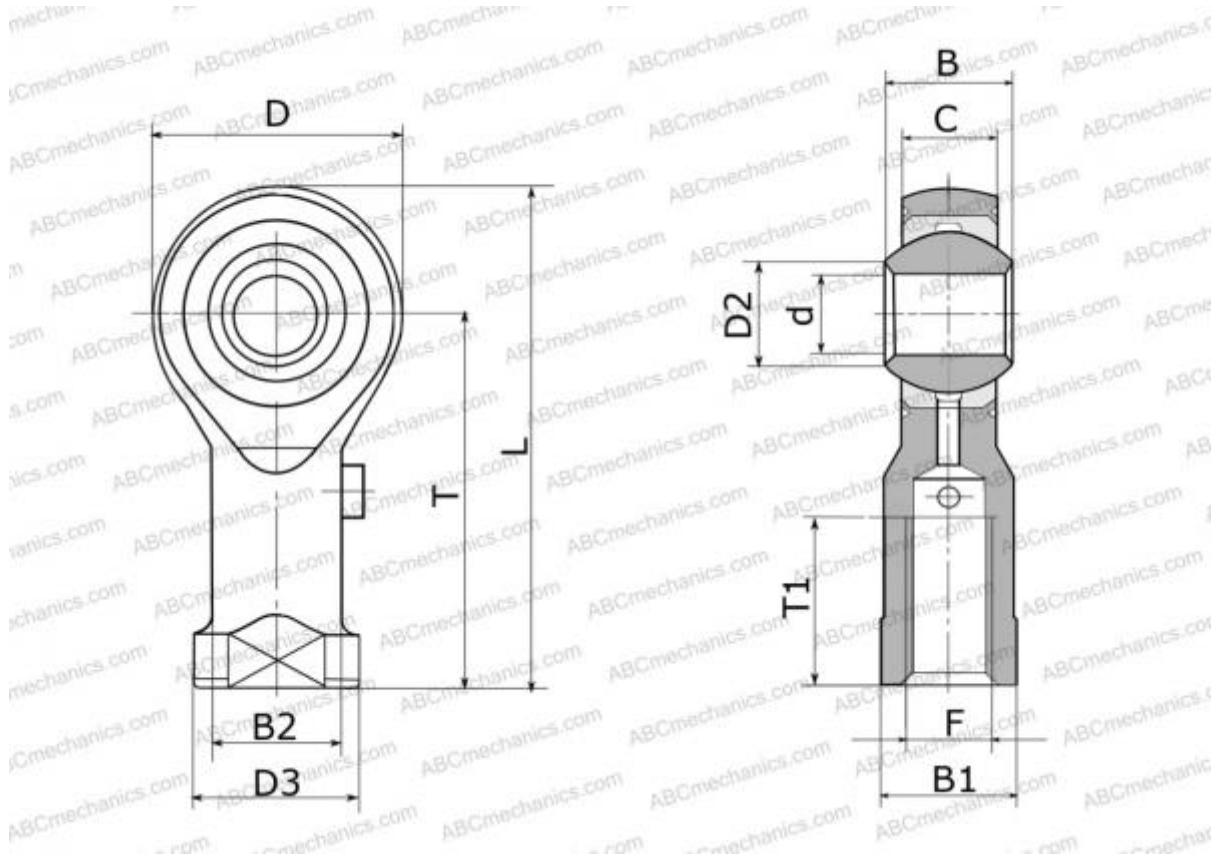


PHSA 14 L IKO

Rod ends

TYPE: Plain bearings, Spherical plain bearings and rod ends, Rod ends, Requiring maintenance, With internal thread, open design, left hand thread, series PHSA..L (IKO)



Technical specification

DIMENSIONS, MM

d	14,000
D	36,000
D2	16,900
B	19,000
L	75,000
T	57,000
T1	30,000
C	13,500
F	M14x2

WEIGHT, KG 0,155

MANUFACTURER [IKO](#)

CALCULATION DATA

Basic static load rating, Co 20,000 kN