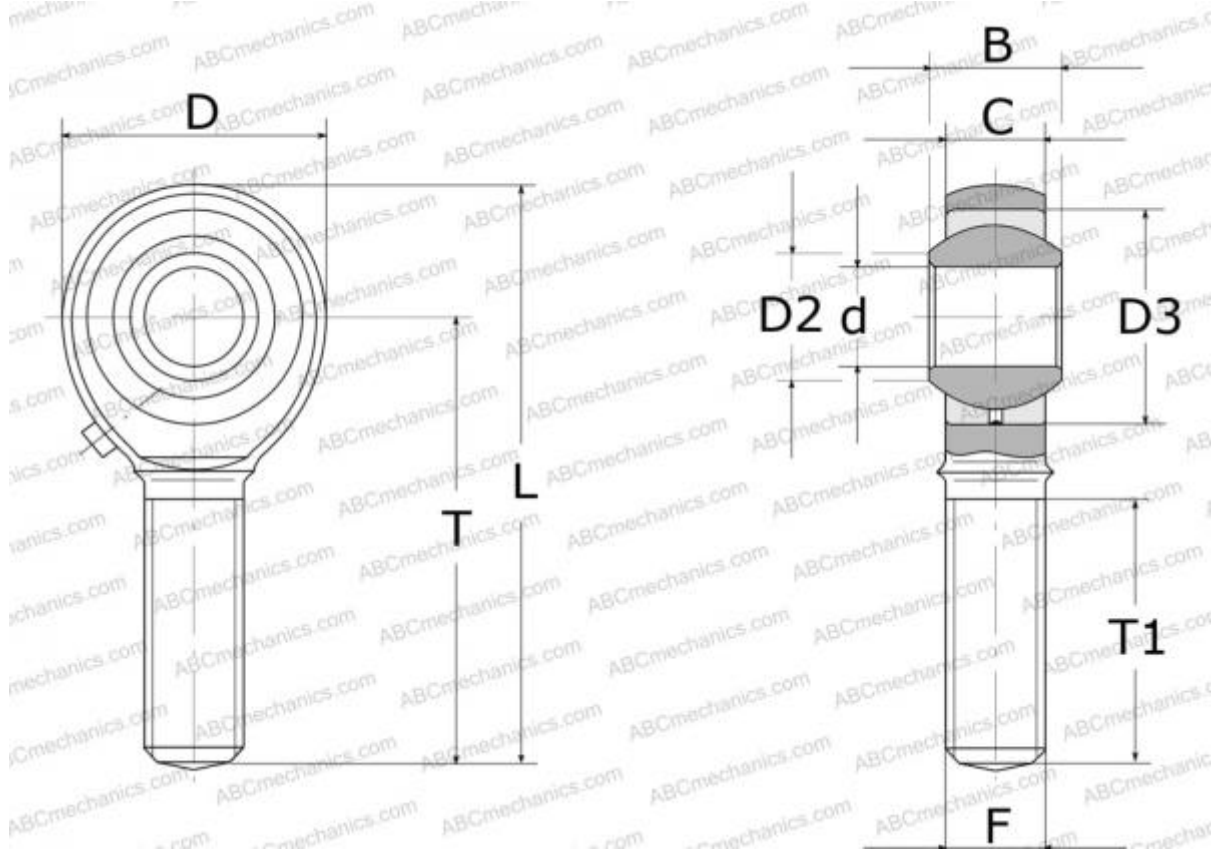


SMLG 30 HEIM

Rod ends

TYPE: Plain bearings, Spherical plain bearings and rod ends, Rod ends, Requiring maintenance, With internal thread, open design, left hand thread, series GAKL..PB, SALKAC, POS..L



Technical specification

DIMENSIONS, MM

d	30,000
D	70,000
D2	34,800
B	37,000
L	145,000
T	110,000
T1	66,000
C	25,000
F	M30x2

INTERCHANGE

IKO	POS 30 L
INA	GAKL 30 PB
SKF	SALKAC 30 M
AURORA	MB-M30Z

WEIGHT, KG 1,070

MANUFACTURER [HEIM](#)

INTERCHANGE

ABC	POS 30 L
-----	--------------------------