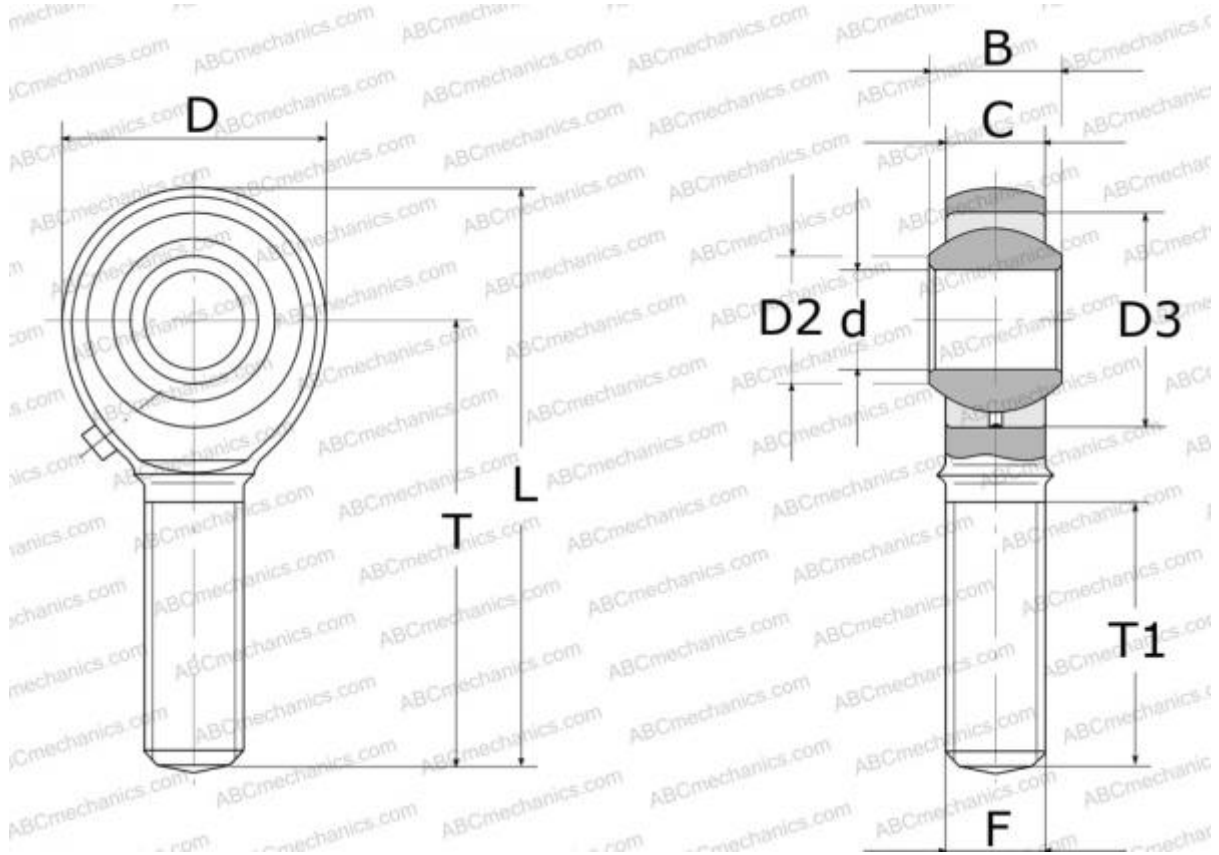


## SM 5 HEIM

Rod ends

TYPE: Plain bearings, Spherical plain bearings and rod ends, Rod ends, Requiring maintenance, With internal thread, open design, right hand thread, series GAKR..PB, SAKAC, POS



### Technical specification

#### DIMENSIONS, MM

d	5,000
D	16,000
D2	7,700
B	8,000
L	41,000
T	33,000
T1	20,000
C	6,000
F	M5x0.8

**WEIGHT, KG** 0,013

**MANUFACTURER** [HEIM](#)

#### INTERCHANGE

ABC [POS 5](#)

#### INTERCHANGE

IKO	<a href="#">POS 5</a>
SKF	<a href="#">SAKAC 5 M</a>
HIRSCHMANN	<a href="#">SM 5</a>
AURORA	<a href="#">MM-M5</a>