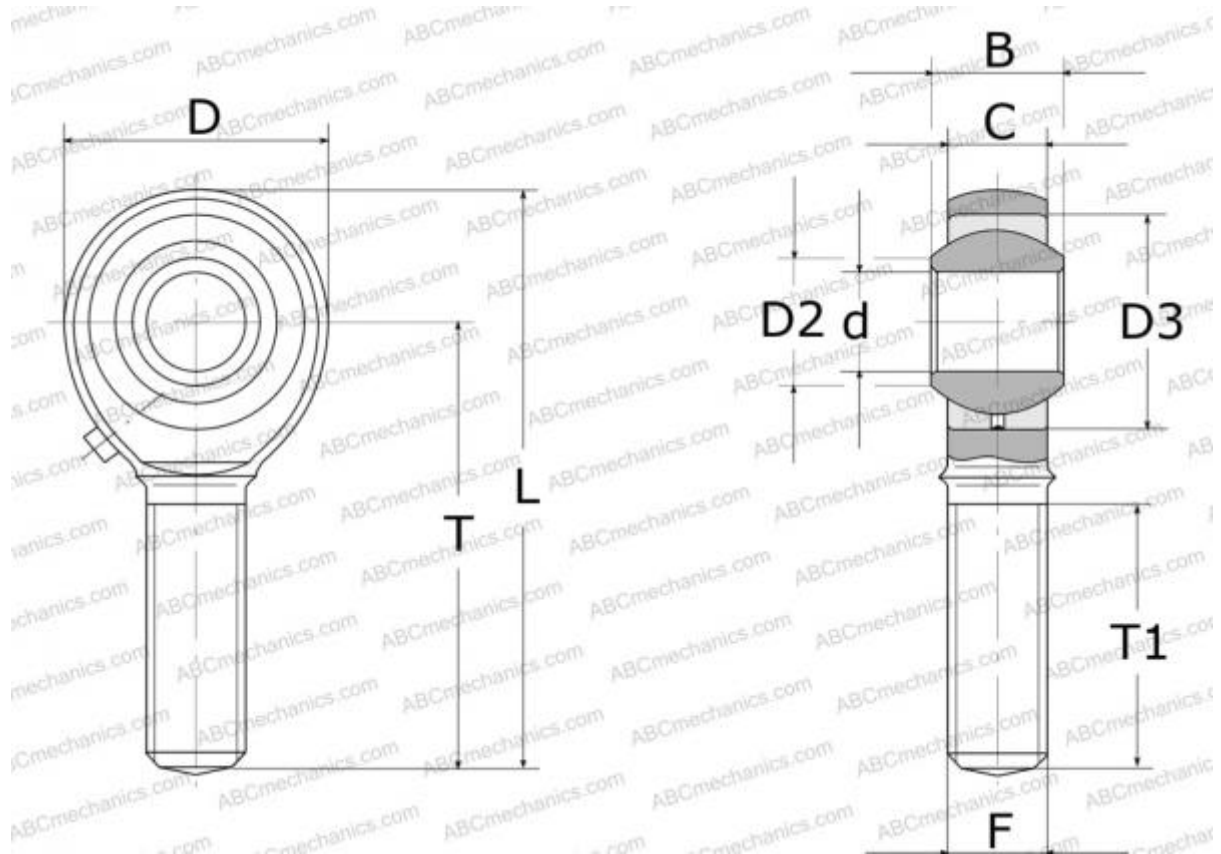


## MM-M14Z AURORA

Rod ends

TYPE: Plain bearings, Spherical plain bearings and rod ends, Rod ends, Requiring maintenance, With internal thread, open design, right hand thread, series GAKR..PB, SAKAC, POS



### Technical specification

#### DIMENSIONS, MM

d	14,000
D	34,000
D2	16,900
B	19,000
L	77,000
T	60,000
T1	36,000
C	13,500
F	M14x2

**WEIGHT, KG** 0,126

**MANUFACTURER** [AURORA](#)

#### INTERCHANGE

ABC [POS 14](#)

#### INTERCHANGE

IKO	<a href="#">POS 14</a>
INA	<a href="#">GAKR 14 PB</a>
SKF	<a href="#">SAKAC 14 M</a>
HIRSCHMANN	<a href="#">SM 14</a>
HEIM	<a href="#">SMG 14</a>