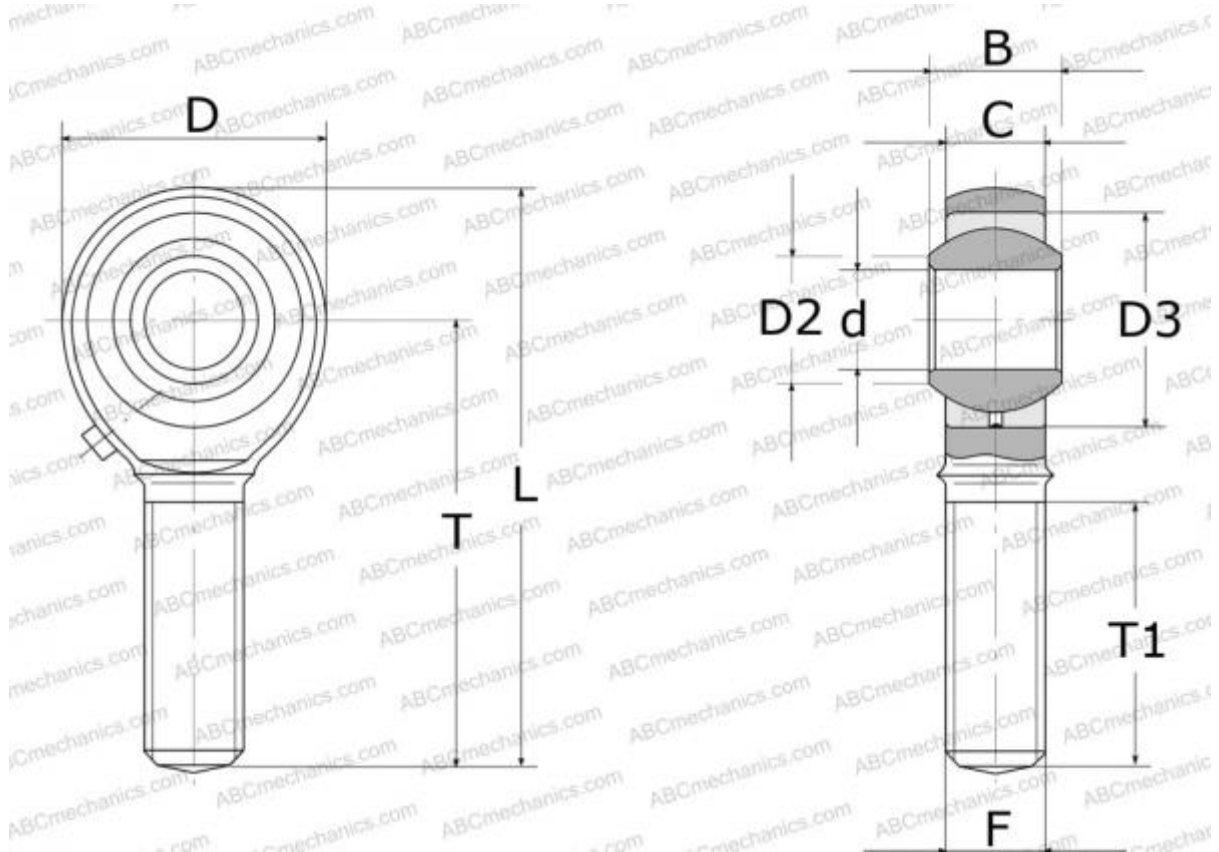


SMG 22 HEIM

Rod ends

TYPE: Plain bearings, Spherical plain bearings and rod ends, Rod ends, Requiring maintenance, With internal thread, open design, right hand thread, series GAKR..PB, SAKAC, POS



Technical specification

DIMENSIONS, MM

d	22,000
D	50,000
D2	25,800
B	28,000
L	109,000
T	84,000
T1	51,000
C	20,000
F	M22x1.5

WEIGHT, KG 0,435

MANUFACTURER [HEIM](#)

INTERCHANGE

ABC [POS 22](#)

INTERCHANGE

IKO	POS 22
SKF	SAKAC 22 M
HIRSCHMANN	SM 22
AURORA	MM-M22Z