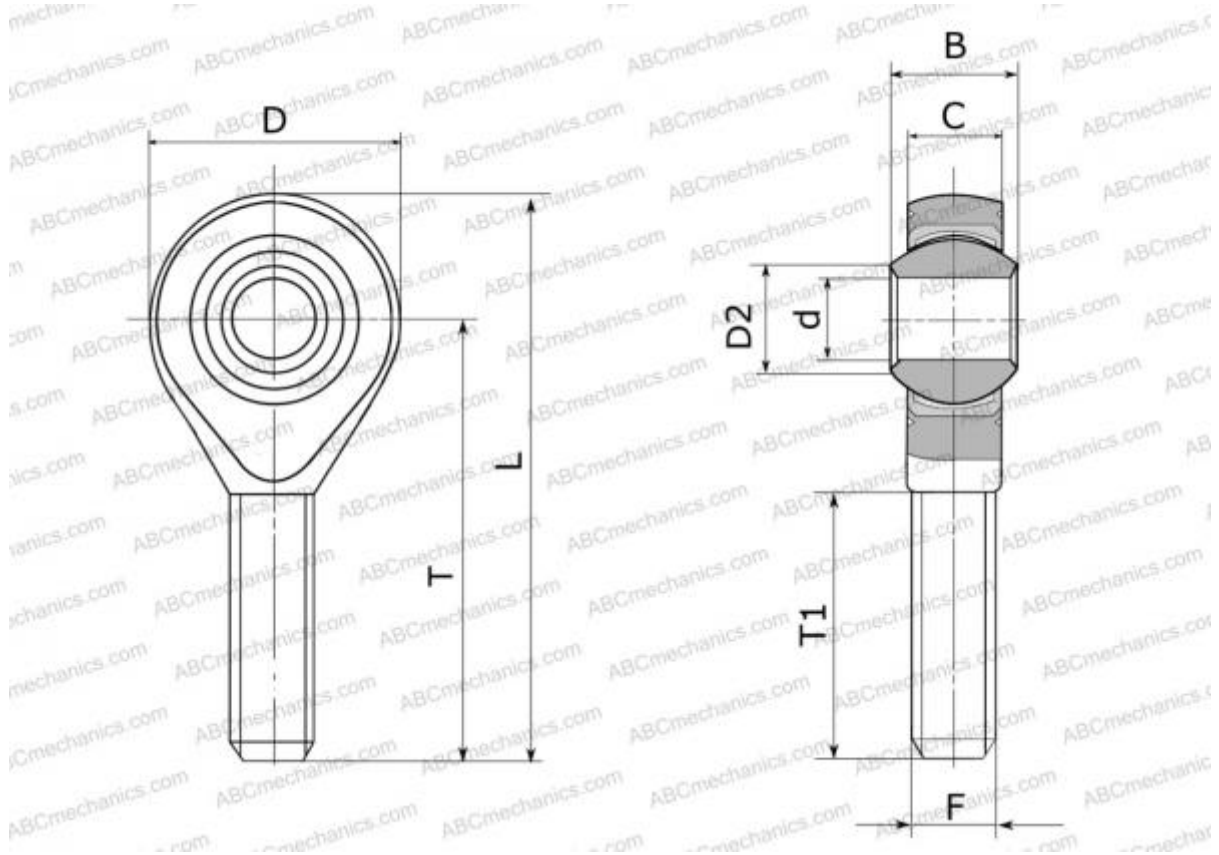


SME4 HEIM

Rod ends

TYPE: Plain bearings, Spherical plain bearings and rod ends, Rod ends, Maintenance free, With internal thread, open design, right hand thread, series POS..EC, GAKR..PW, SAKB



Technical specification

DIMENSIONS, MM

d	4,000
D	14,000
D2	6,500
B	7,000
L	37,000
T	30,000
T1	17,000
C	5,300
F	M4x0.7

INTERCHANGE

IKO	POS 4 EC
AURORA	MM-M4T

WEIGHT, KG 0,008

MANUFACTURER [HEIM](#)

INTERCHANGE

ABC	POS 4 EC
-----	--------------------------