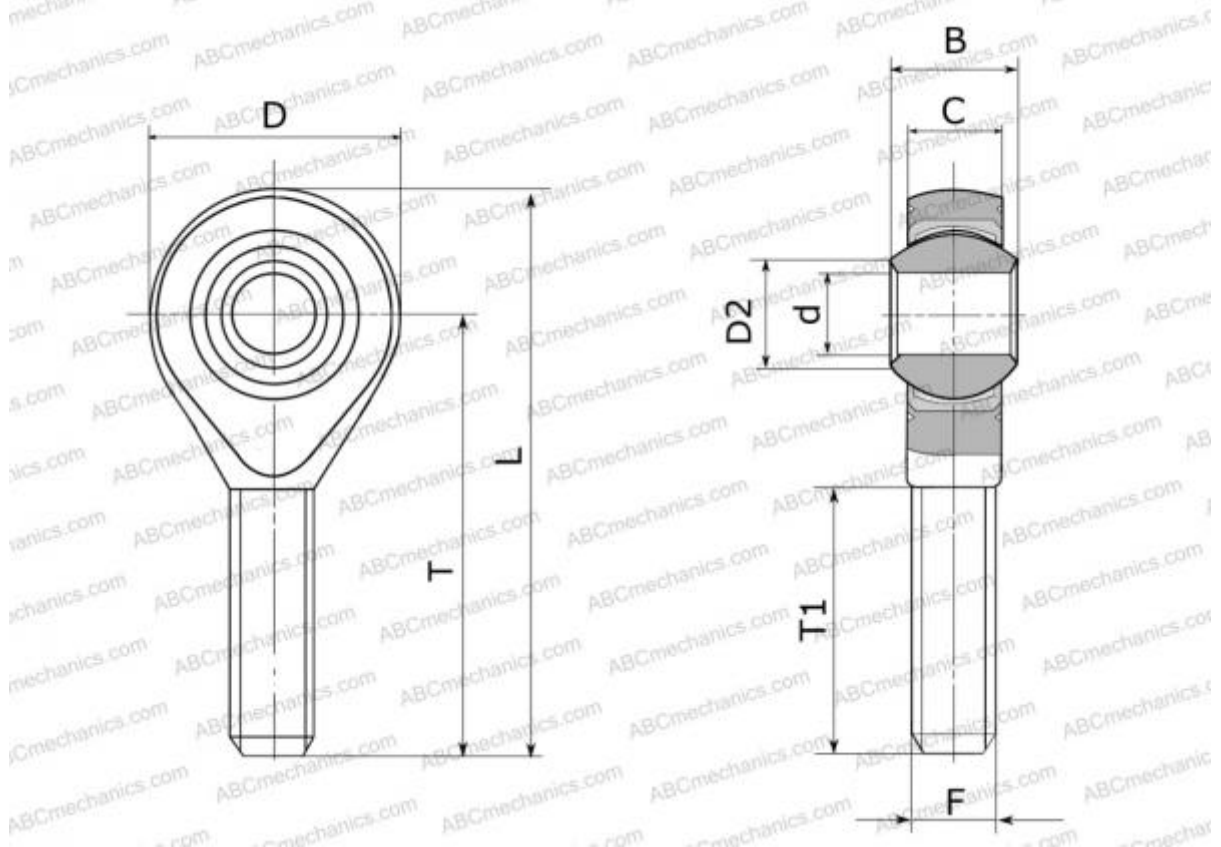


SMLE3 HEIM

Rod ends

TYPE: Plain bearings, Spherical plain bearings and rod ends, Rod ends, Maintenance free, With internal thread, open design, left hand thread, series POS..ECL, GAKL..PW, SALKB



Technical specification

DIMENSIONS, MM

d	3,000
D	12,000
D2	5,200
B	6,000
L	33,000
T	27,000
T1	15,000
C	4,500
F	M3x0.5

WEIGHT, KG 0,005

MANUFACTURER [HEIM](#)

INTERCHANGE

ABC [POS 3 ECL](#)

INTERCHANGE

IKO [POS 3 ECL](#)
 AURORA [MB-M3T](#)