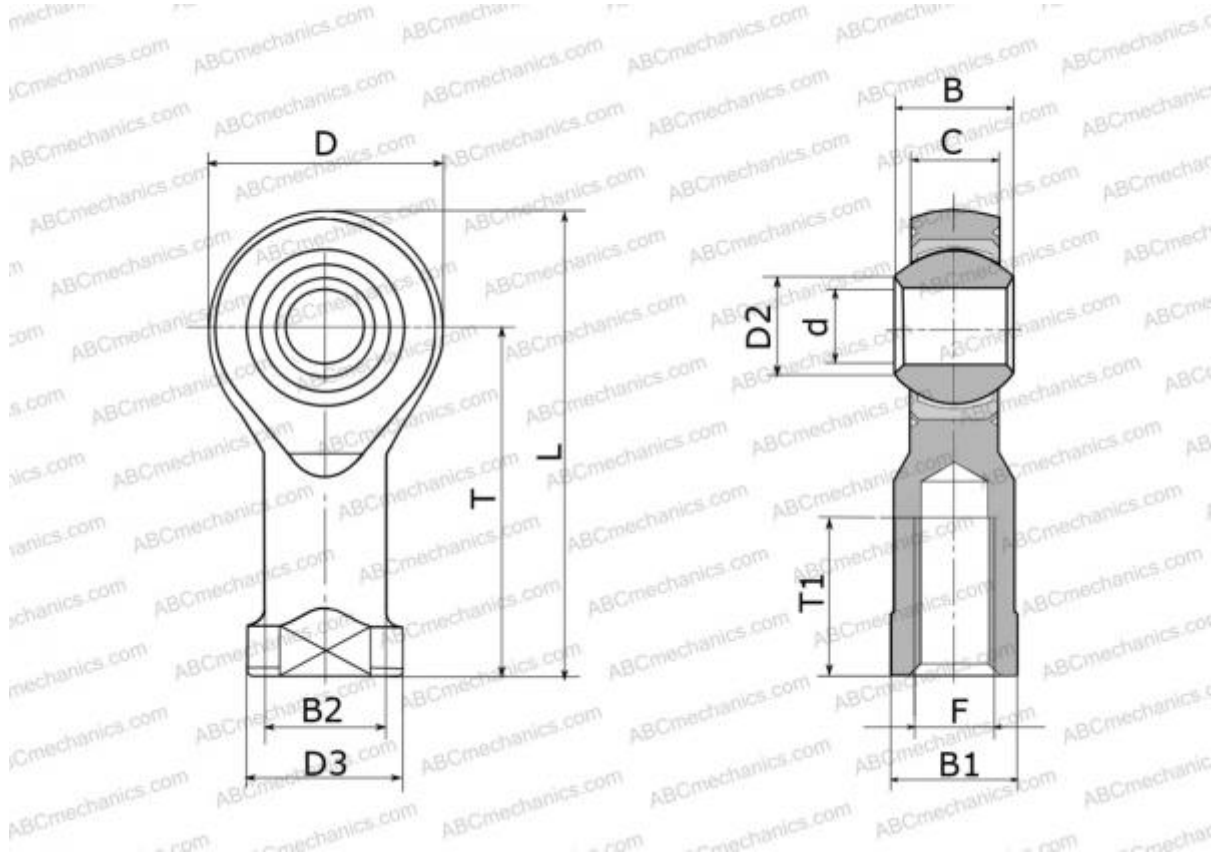


## SFLE4 HEIM

Rod ends

TYPE: Plain bearings, Spherical plain bearings and rod ends, Rod ends, Maintenance free, With internal thread, open design, left hand thread, series PHS..ECL, GIKL..PW, SILKB



### Technical specification

#### DIMENSIONS, MM

|    |        |
|----|--------|
| d  | 4,000  |
| D  | 14,000 |
| D2 | 6,500  |
| B  | 7,000  |
| B1 | 8,000  |
| L  | 31,000 |
| T  | 24,000 |
| T1 | 12,000 |
| C  | 5,300  |
| F  | M4x0.7 |

**WEIGHT, KG** 0,012

**MANUFACTURER** [HEIM](#)

#### INTERCHANGE

|        |                           |
|--------|---------------------------|
| ABC    | <a href="#">PHS 4 ECL</a> |
| IKO    | <a href="#">PHS 4 ECL</a> |
| AURORA | <a href="#">MG-M4T</a>    |