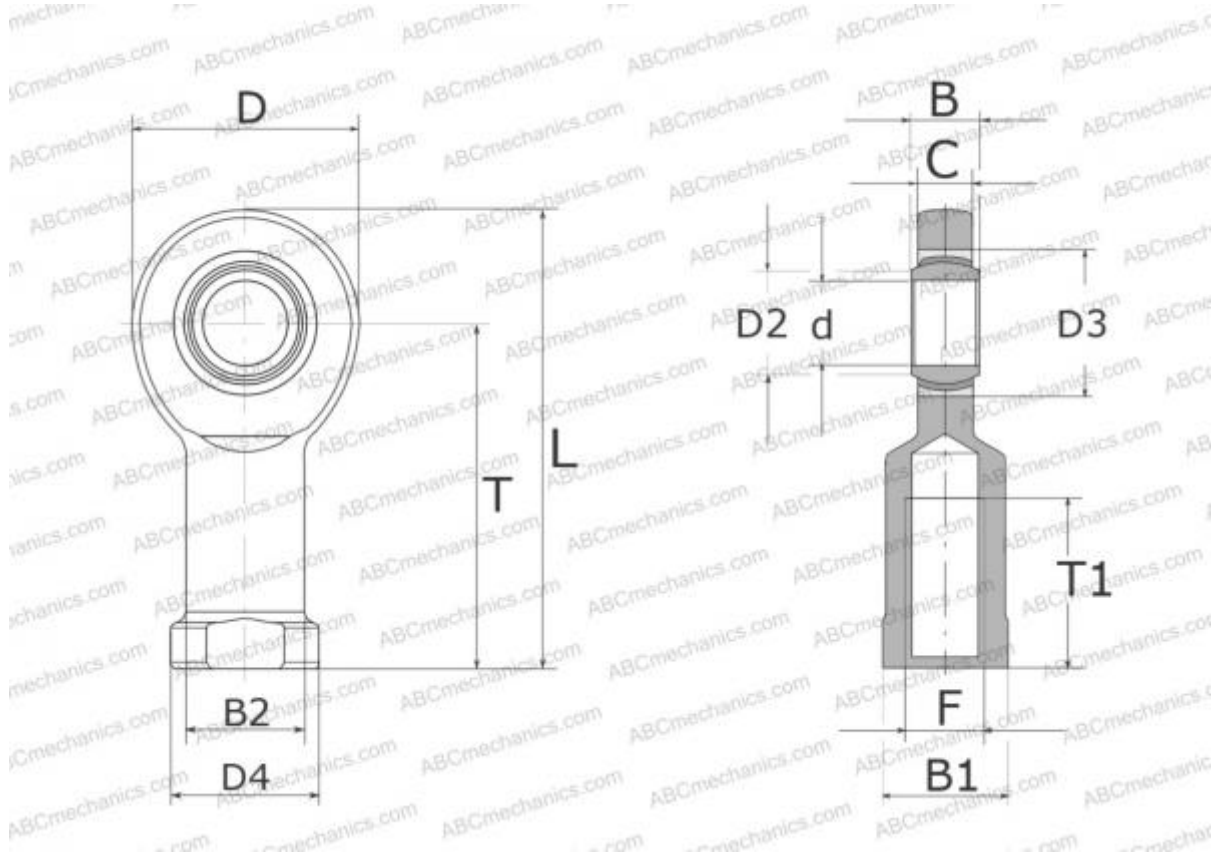


## SI 8 C SKF

Rod ends

TYPE: Plain bearings, Spherical plain bearings and rod ends, Rod ends, Maintenance free, With internal thread, open design, right hand thread, series SI..C (SKF)



### Technical specification

#### DIMENSIONS, MM

d	8,000
D	25,000
D4	13,000
B	8,000
B1	11,000
L	50,000
T	36,000
T1	15,000
C	6,500
F	M8

**WEIGHT, KG** 0,036

**MANUFACTURER** [SKF](https://www.skf.com)

#### CALCULATION DATA

Basic dynamic load rating, C	5,800 kN
Basic static load rating, Co	12,900 kN