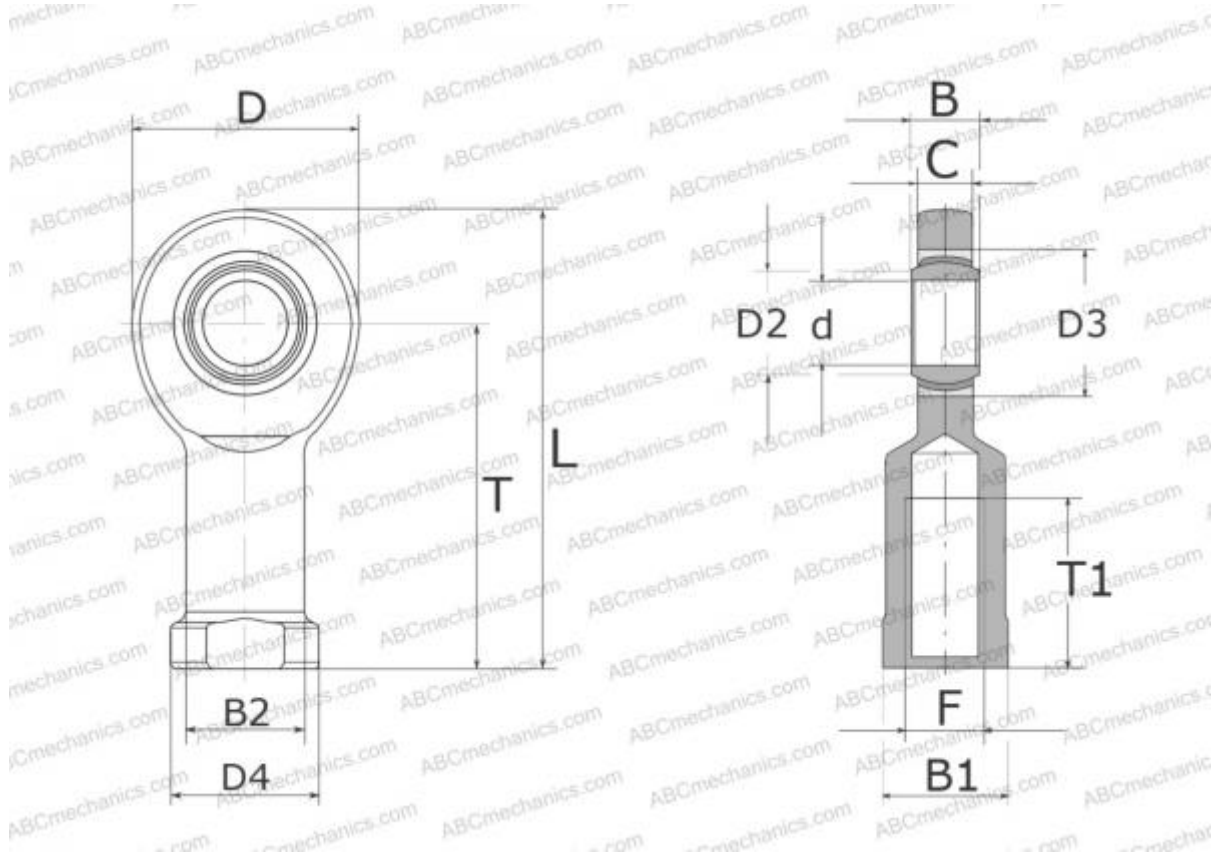


SI 20 C SKF

Rod ends

TYPE: Plain bearings, Spherical plain bearings and rod ends, Rod ends, Maintenance free, With internal thread, open design, right hand thread, series SI..C (SKF)



Technical specification

DIMENSIONS, MM

d	20,000
D	54,000
D4	28,000
B	16,000
B1	24,000
L	106,000
T	77,000
T1	30,000
C	13,500
F	M20x1.5

WEIGHT, KG 0,350

MANUFACTURER [SKF](https://www.skf.com)

CALCULATION DATA

Basic dynamic load rating, C	31,500 kN
Basic static load rating, Co	57,000 kN