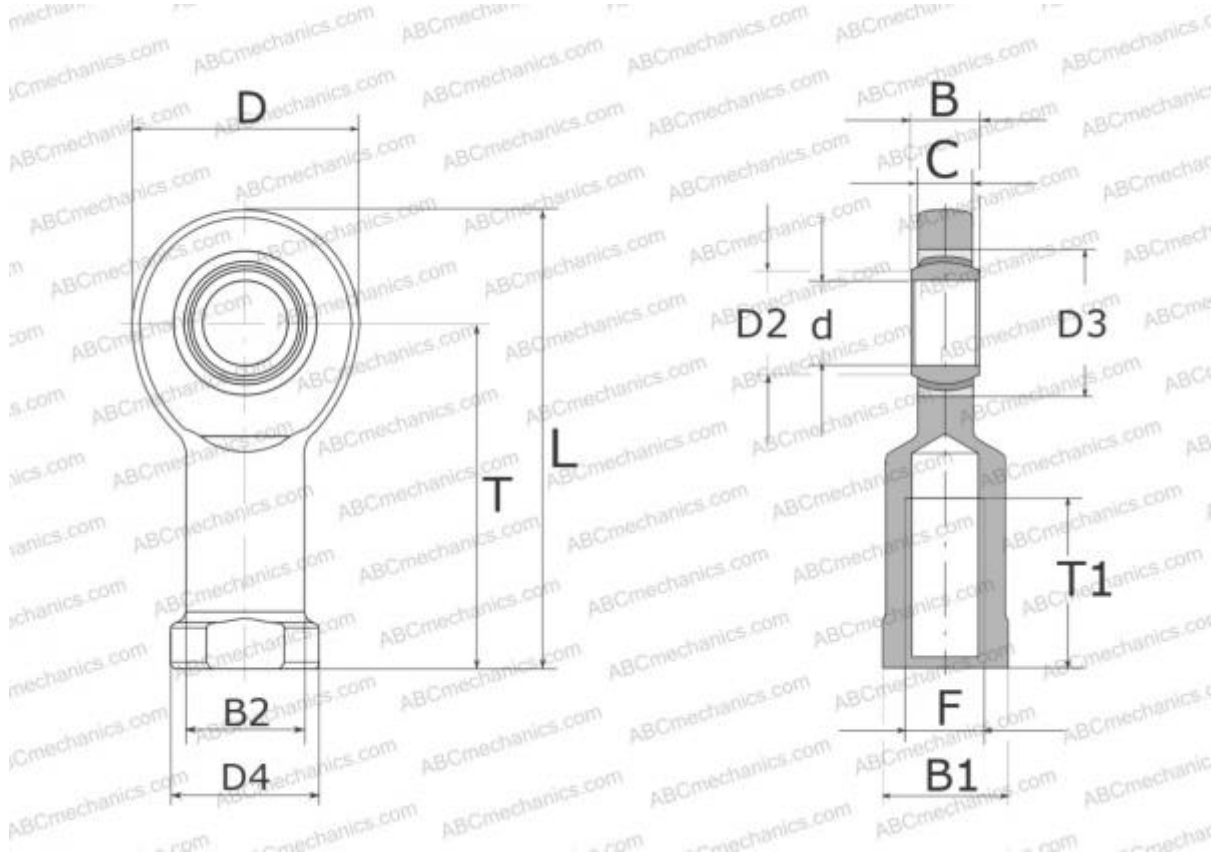


## SI 30 C SKF

Rod ends

TYPE: Plain bearings, Spherical plain bearings and rod ends, Rod ends, Maintenance free, With internal thread, open design, right hand thread, series SI..C (SKF)



### Technical specification

#### DIMENSIONS, MM

d	30,000
D	75,000
D4	42,000
B	22,000
B1	36,000
L	149,000
T	110,000
T1	45,000
C	20,000
F	M30x2

**WEIGHT, KG** 1,050

**MANUFACTURER** [SKF](#)

#### CALCULATION DATA

Basic dynamic load rating, C	65,500 kN
Basic static load rating, Co	118,000 kN