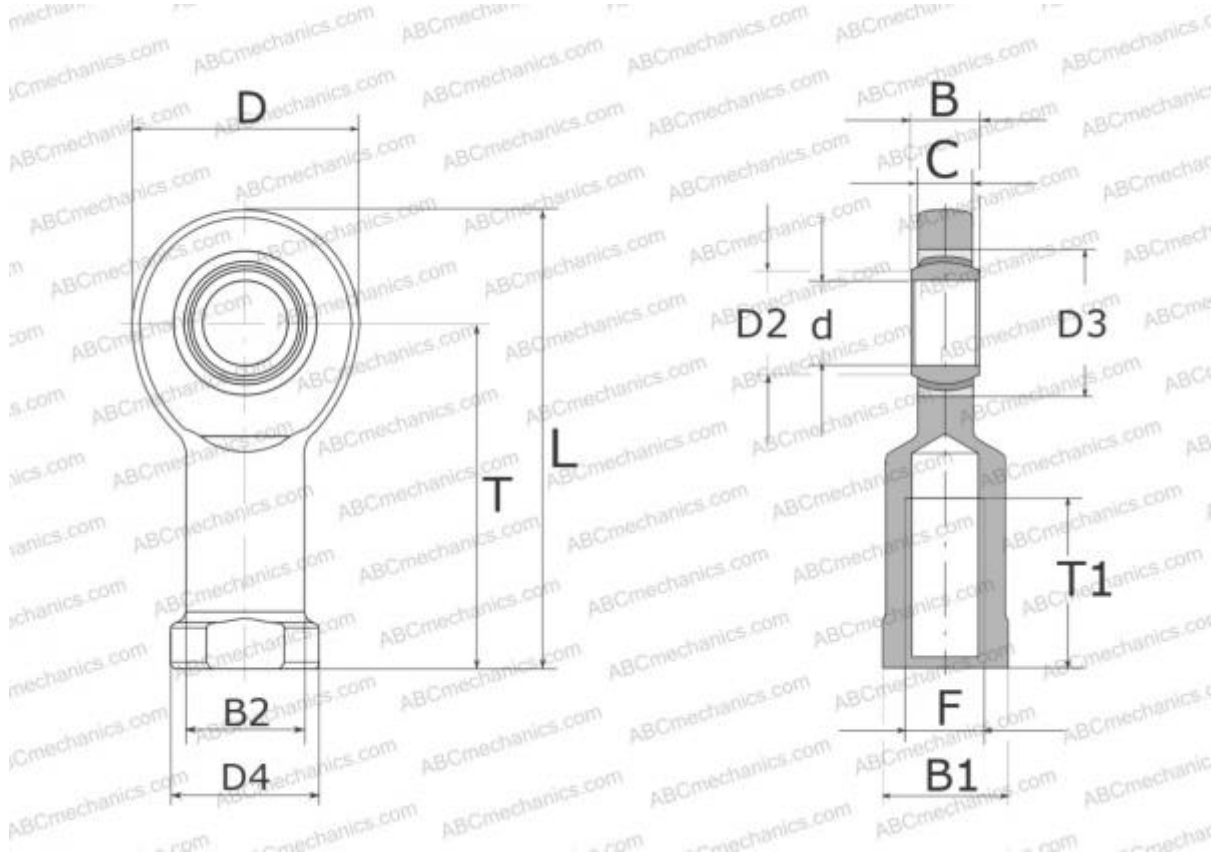


SIL 10 C SKF

Rod ends

TYPE: Plain bearings, Spherical plain bearings and rod ends, Rod ends, Maintenance free, With internal thread, open design, left hand thread, series SIL..C (SKF)



Technical specification

DIMENSIONS, MM

| | |
|----|--------|
| d | 10,000 |
| D | 30,000 |
| D4 | 16,000 |
| B | 9,000 |
| B1 | 14,000 |
| L | 60,000 |
| T | 43,000 |
| T1 | 15,000 |
| C | 7,500 |
| F | M10 |

WEIGHT, KG 0,065

MANUFACTURER [SKF](https://www.skf.com)

CALCULATION DATA

| | |
|------------------------------|-----------|
| Basic dynamic load rating, C | 8,650 kN |
| Basic static load rating, Co | 19,000 kN |