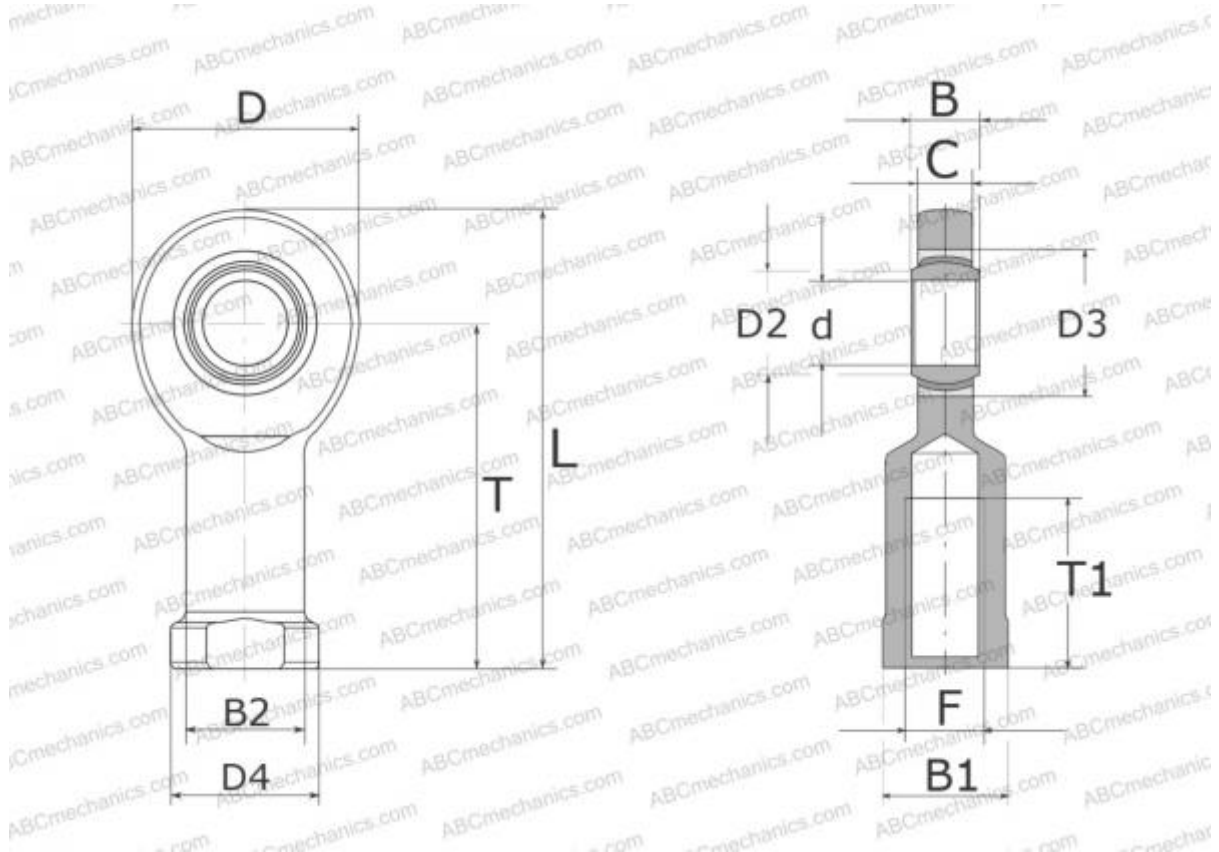


SIL 12 C SKF

Rod ends

TYPE: Plain bearings, Spherical plain bearings and rod ends, Rod ends, Maintenance free, With internal thread, open design, left hand thread, series SIL..C (SKF)



Technical specification

DIMENSIONS, MM

| | |
|----|--------|
| d | 12,000 |
| D | 35,000 |
| D4 | 19,000 |
| B | 10,000 |
| B1 | 17,000 |
| L | 69,000 |
| T | 50,000 |
| T1 | 18,000 |
| C | 8,500 |
| F | M12 |

WEIGHT, KG 0,110

MANUFACTURER [SKF](#)

CALCULATION DATA

| | |
|------------------------------|-----------|
| Basic dynamic load rating, C | 11,400 kN |
| Basic static load rating, Co | 25,500 kN |