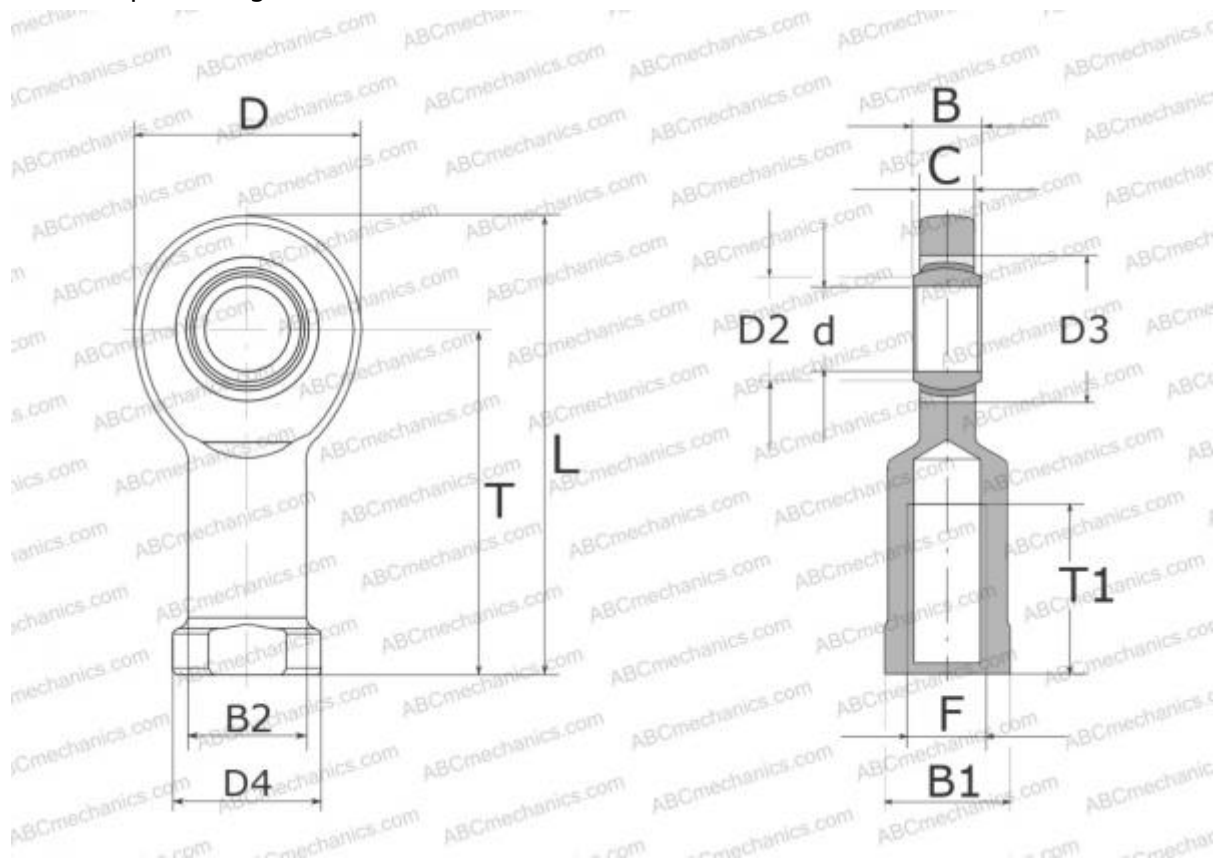


## SIL 25 C SKF

Rod ends

TYPE: Plain bearings, Spherical plain bearings and rod ends, Rod ends, Maintenance free, With internal thread, open design, left hand thread, series SIL..C (SKF)



### Technical specification

#### DIMENSIONS, MM

d	25,000
D	65,000
D4	35,000
B	20,000
B1	30,000
L	128,000
T	94,000
T1	36,000
C	18,000
F	M24x2

**WEIGHT, KG** 0,650

**MANUFACTURER** [SKF](https://www.skf.com)

#### CALCULATION DATA

Basic dynamic load rating, C	51,000 kN
Basic static load rating, Co	90,000 kN