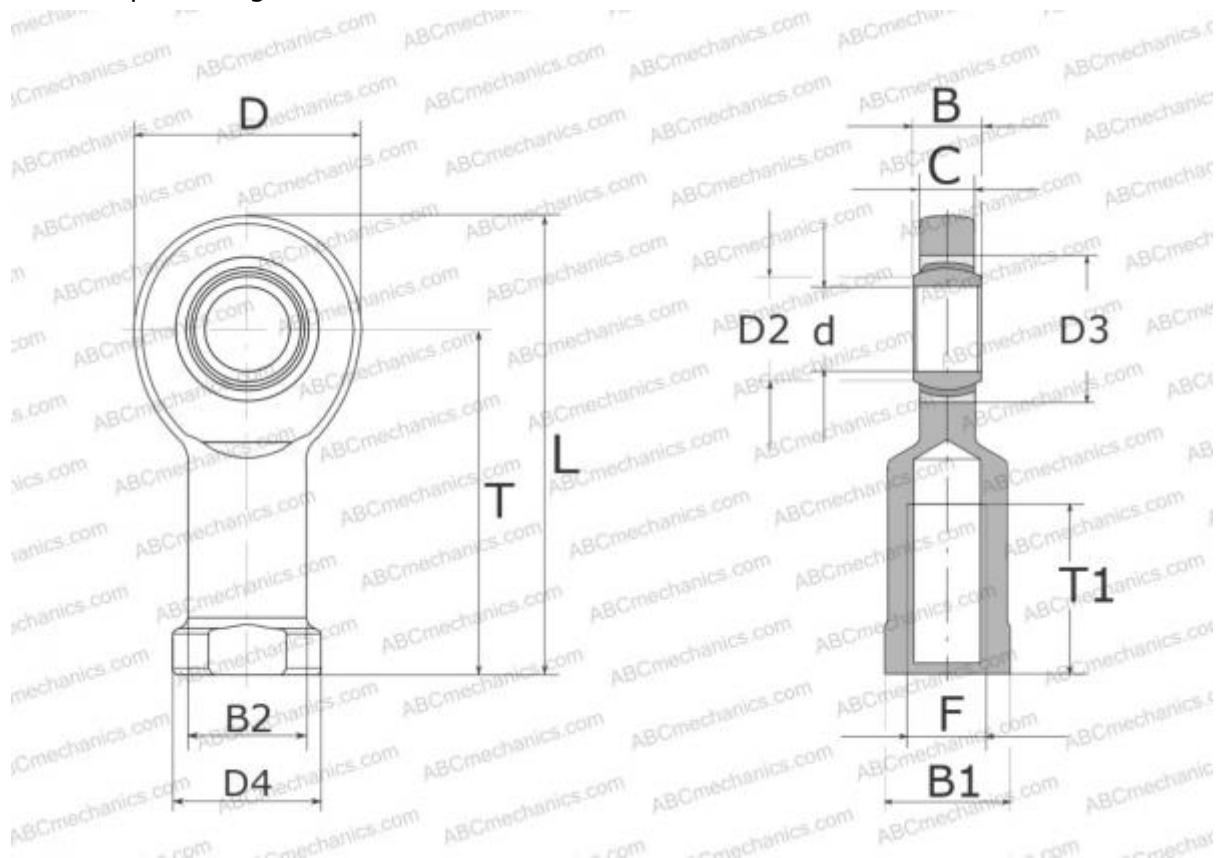


SIL 30 C SKF

Rod ends

TYPE: Plain bearings, Spherical plain bearings and rod ends, Rod ends, Maintenance free, With internal thread, open design, left hand thread, series SIL..C (SKF)



Technical specification

DIMENSIONS, MM

d	30,000
D	75,000
D4	42,000
B	22,000
B1	36,000
L	149,000
T	110,000
T1	45,000
C	20,000
F	M30x2

WEIGHT, KG 1,050

MANUFACTURER [SKF](https://www.skf.com)

CALCULATION DATA

Basic dynamic load rating, C	65,500 kN
Basic static load rating, Co	118,000 kN