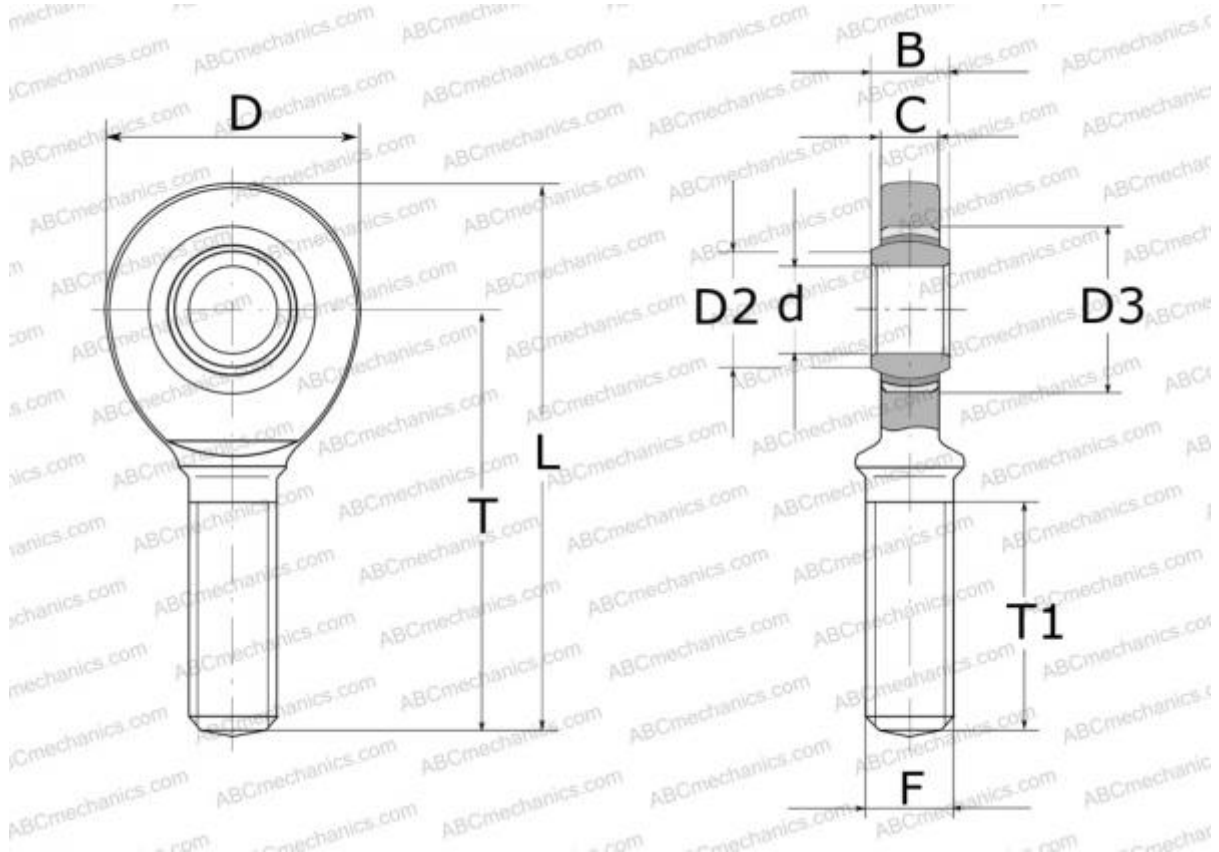


## SA 15 C SKF

Rod ends

TYPE: Plain bearings, Spherical plain bearings and rod ends, Rod ends, Maintenance free, With external thread, open design, right hand thread, series SA..C (SKF)



### Technical specification

#### DIMENSIONS, MM

d	15,000
D	41,000
B	12,000
L	85,000
T	63,000
T1	34,000
C	10,500
F	M14

**WEIGHT, KG** 0,130

**MANUFACTURER** [SKF](#)

#### CALCULATION DATA

Basic dynamic load rating, C	18,000 kN
Basic static load rating, Co	34,500 kN