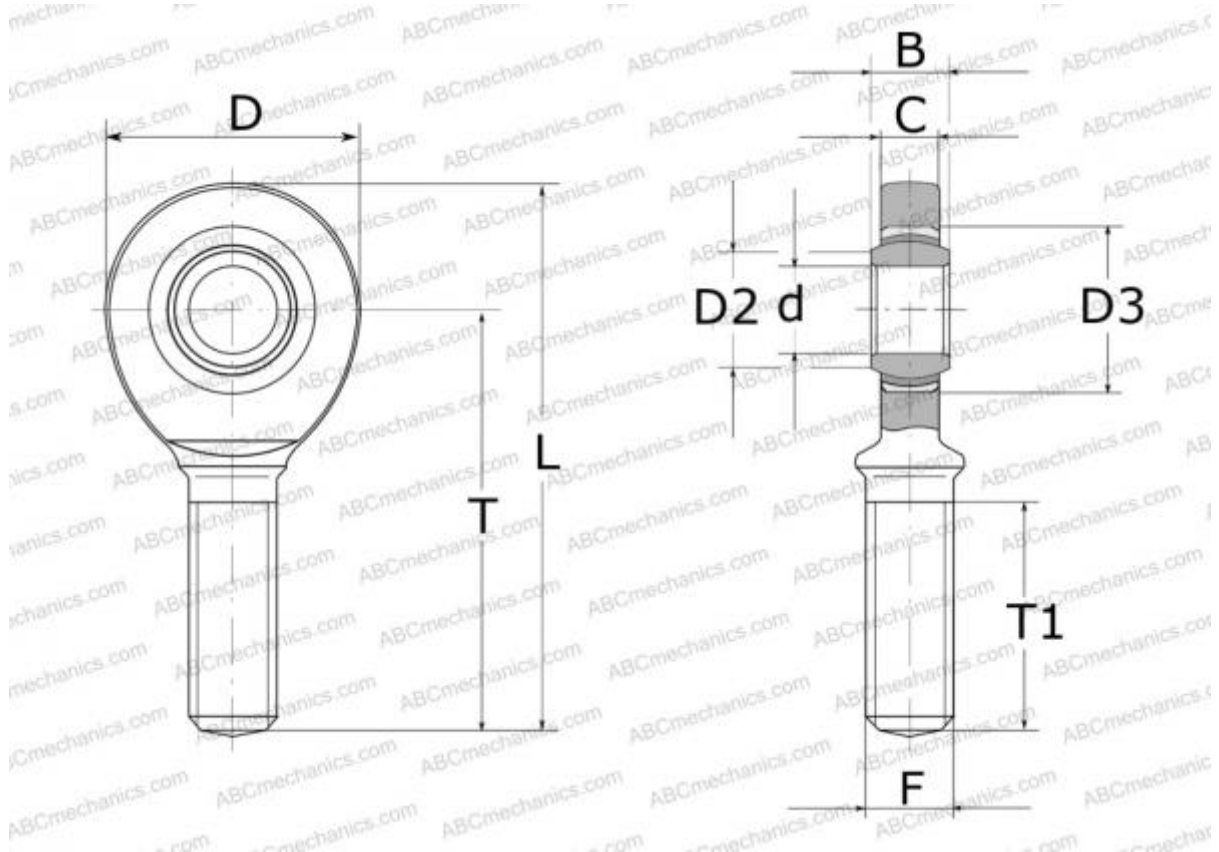


SA 17 C SKF

Rod ends

TYPE: Plain bearings, Spherical plain bearings and rod ends, Rod ends, Maintenance free, With external thread, open design, right hand thread, series SA..C (SKF)



Technical specification

DIMENSIONS, MM

d	17,000
D	47,000
B	14,000
L	94,000
T	69,000
T1	36,000
C	11,500
F	M16

WEIGHT, KG 0,190

MANUFACTURER [SKF](#)

CALCULATION DATA

Basic dynamic load rating, C	22,400 kN
Basic static load rating, Co	42,500 kN