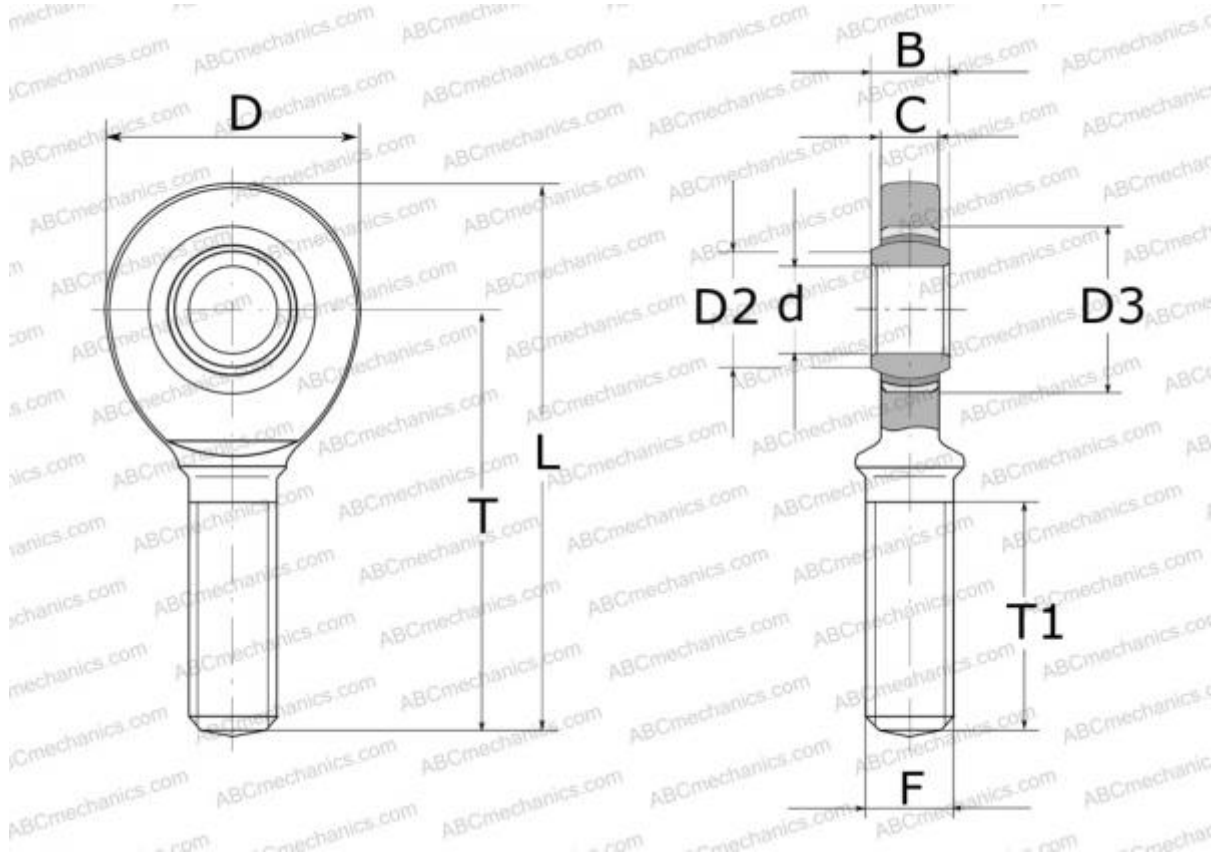


## SA 25 C SKF

Rod ends

TYPE: Plain bearings, Spherical plain bearings and rod ends, Rod ends, Maintenance free, With external thread, open design, right hand thread, series SA..C (SKF)



### Technical specification

#### DIMENSIONS, MM

d	25,000
D	65,000
B	20,000
L	128,000
T	94,000
T1	53,000
C	18,000
F	M24x2

**WEIGHT, KG** 0,570

**MANUFACTURER** [SKF](#)

#### CALCULATION DATA

Basic dynamic load rating, C	51,000 kN
Basic static load rating, Co	78,000 kN