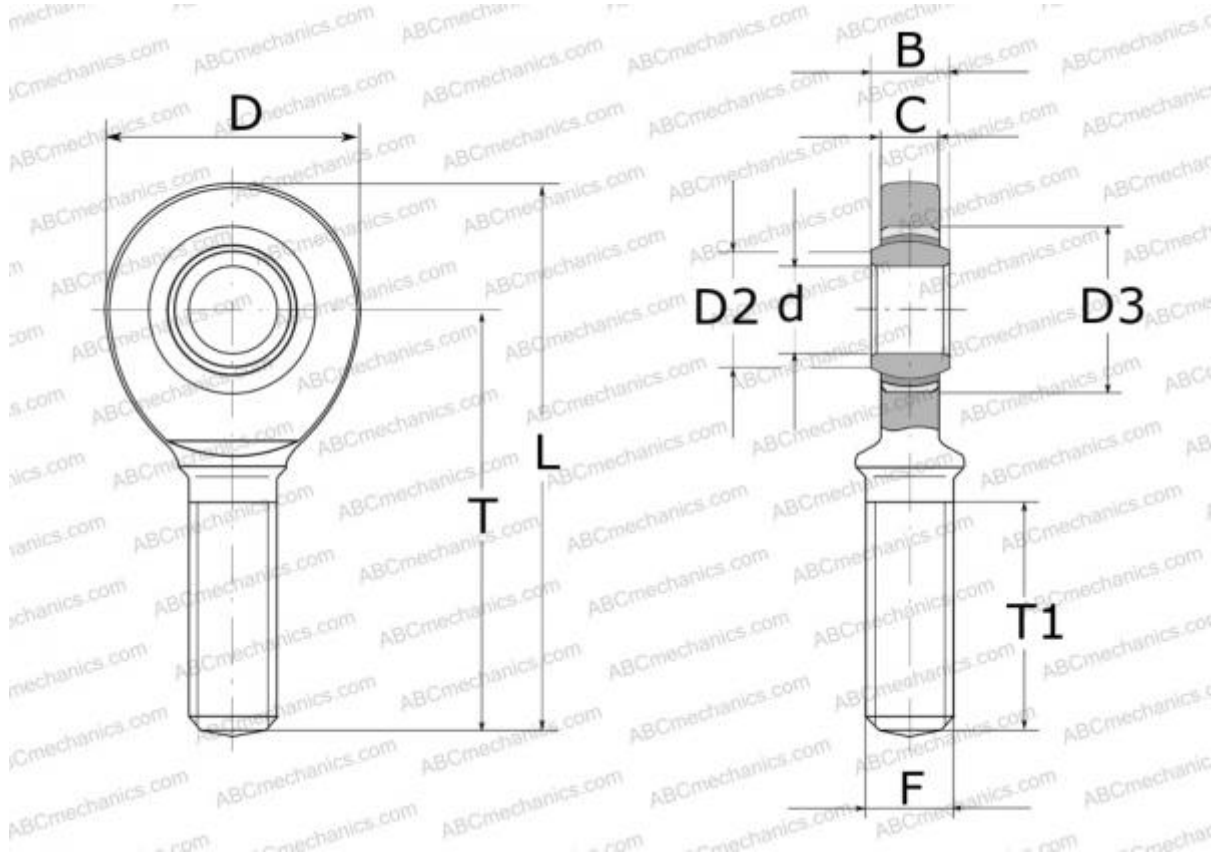


## SAL 17 C SKF

Rod ends

TYPE: Plain bearings, Spherical plain bearings and rod ends, Rod ends, Maintenance free, With external thread, open design, left hand thread, series SAL..C (SKF)



### Technical specification

#### DIMENSIONS, MM

d	17,000
D	47,000
B	14,000
L	94,000
T	69,000
T1	36,000
C	11,500
F	M16

**WEIGHT, KG** 0,190

**MANUFACTURER** [SKF](#)

#### CALCULATION DATA

Basic dynamic load rating, C	22,400 kN
Basic static load rating, Co	42,500 kN