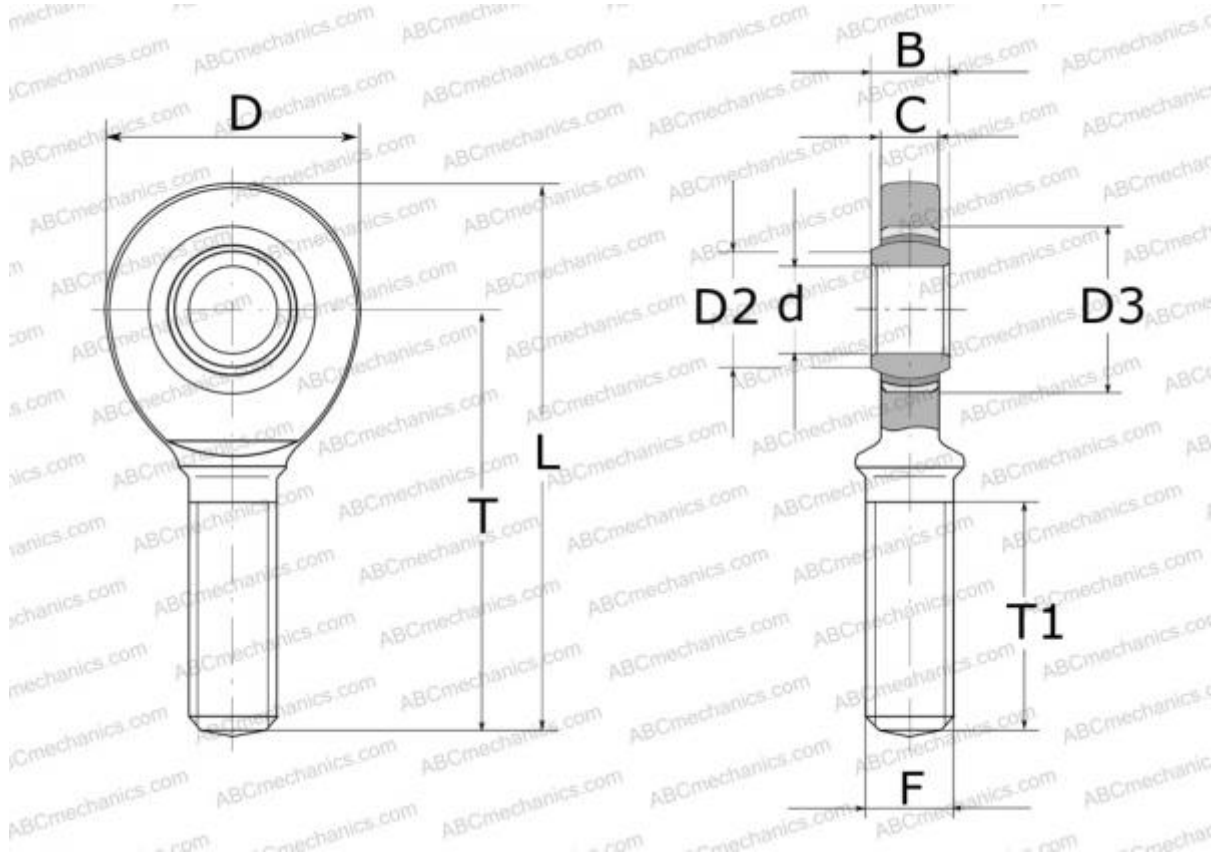


## SAL 20 C SKF

Rod ends

TYPE: Plain bearings, Spherical plain bearings and rod ends, Rod ends, Maintenance free, With external thread, open design, left hand thread, series SAL..C (SKF)



### Technical specification

#### DIMENSIONS, MM

d	20,000
D	54,000
B	16,000
L	107,000
T	78,000
T1	43,000
C	13,500
F	M20x1.5

**WEIGHT, KG** 0,320

**MANUFACTURER** [SKF](#)

#### CALCULATION DATA

Basic dynamic load rating, C	31,500 kN
Basic static load rating, Co	51,000 kN