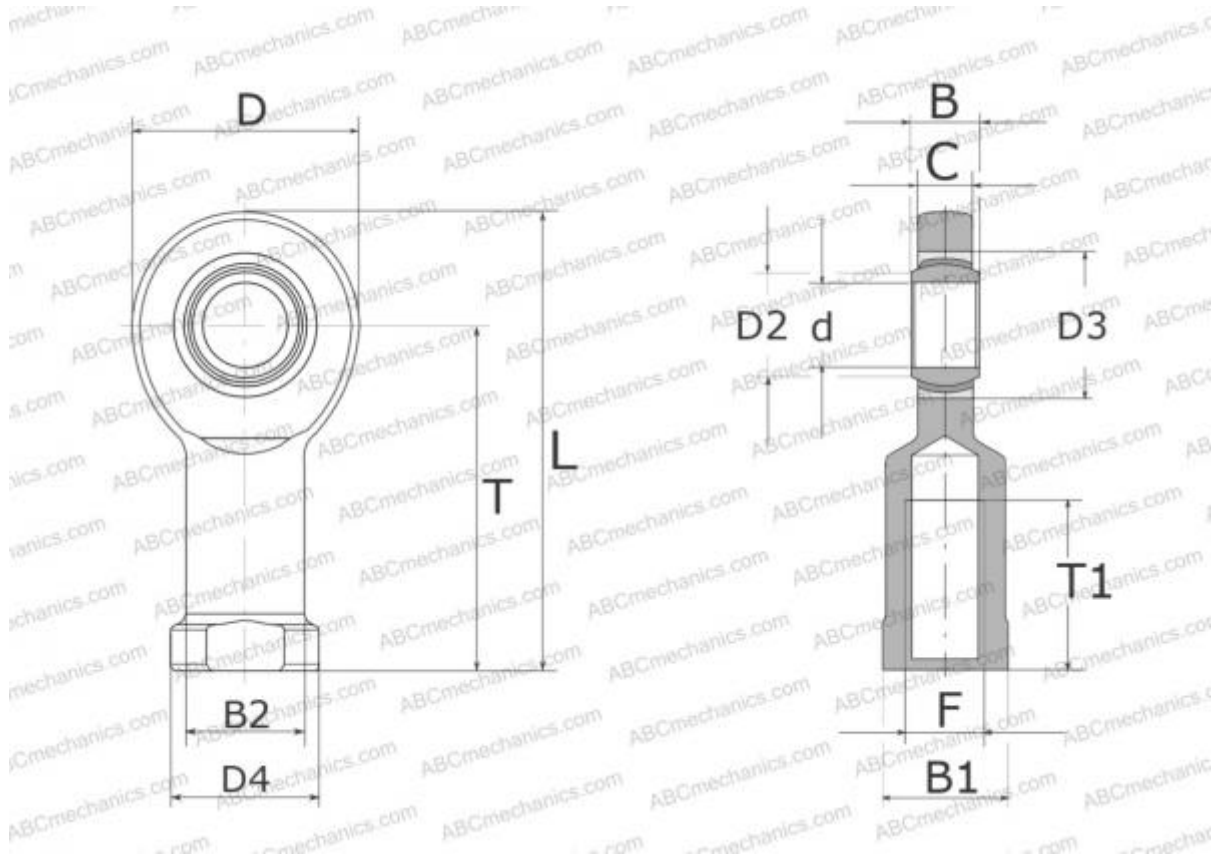


## SI 35 TXE-2LS SKF

Rod ends

TYPE: Plain bearings, Spherical plain bearings and rod ends, Rod ends, Maintenance free, With internal thread, open design, right hand thread, series SI(A)..TXE-2LS (SKF)



### Technical specification

#### DIMENSIONS, MM

d	35,000
D	84,000
D4	49,000
B	25,000
B1	41,000
L	174,000
T	130,000
T1	60,000
C	22,000
F	M36x3

**WEIGHT, KG** 1,400

**MANUFACTURER** [SKF](#)

#### CALCULATION DATA

Basic dynamic load rating, C	224,000 kN
Basic static load rating, Co	134,000 kN