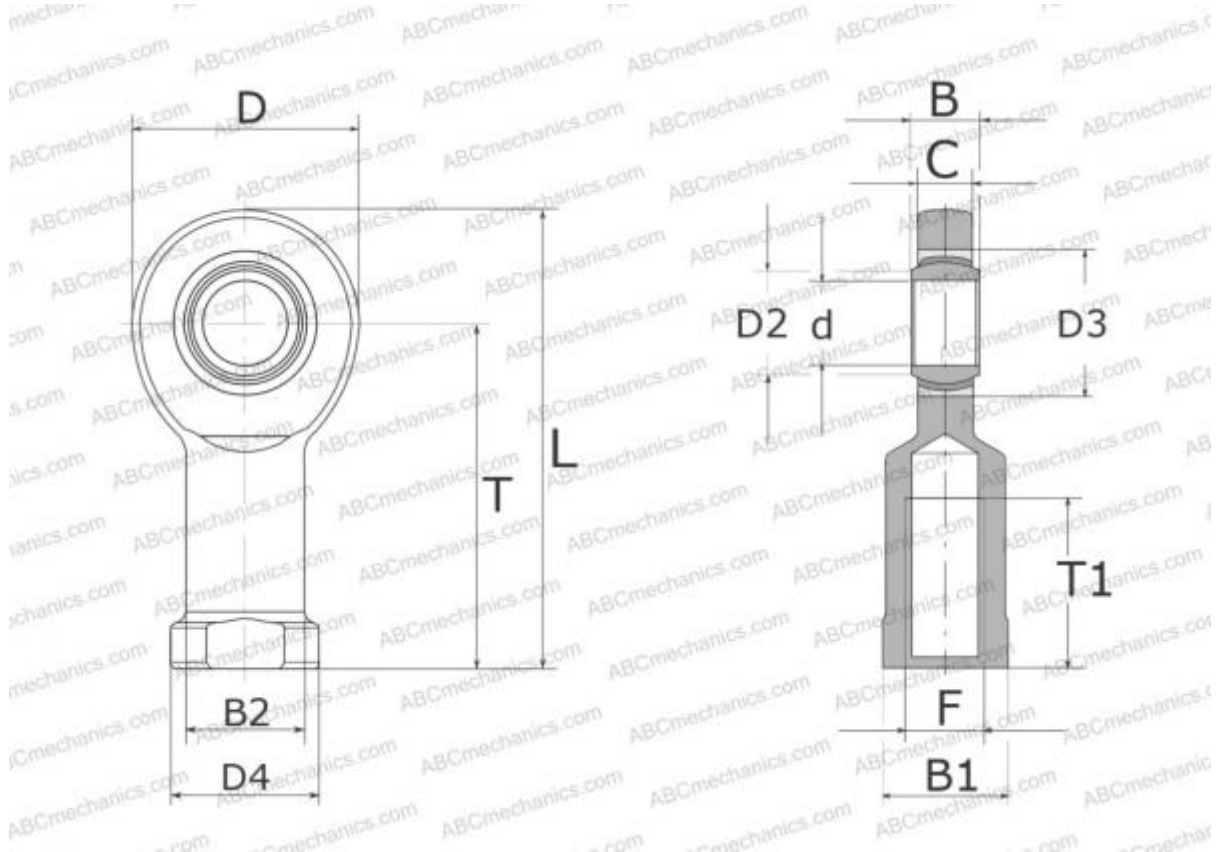


SI 45 TXE-2LS SKF

Rod ends

TYPE: Plain bearings, Spherical plain bearings and rod ends, Rod ends, Maintenance free, With internal thread, open design, right hand thread, series SI(A)..TXE-2LS (SKF)



Technical specification

DIMENSIONS, MM

d	45,000
D	104,000
D4	65,000
B	32,000
B1	55,000
L	219,000
T	165,000
T1	65,000
C	28,000
F	M45x3

WEIGHT, KG 3,200

MANUFACTURER [SKF](#)

CALCULATION DATA

Basic dynamic load rating, C	360,000 kN
Basic static load rating, Co	224,000 kN