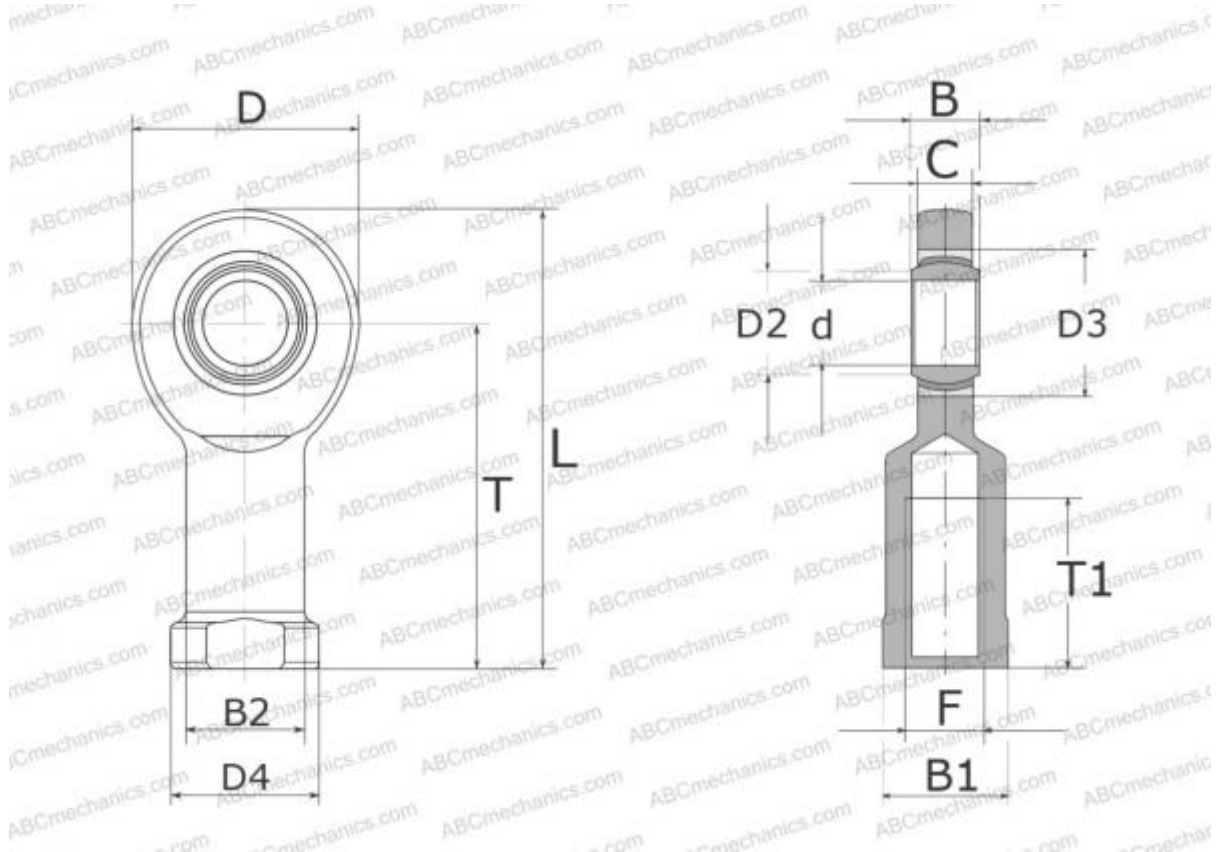


SIA 50 TXE-2LS SKF

Rod ends

TYPE: Plain bearings, Spherical plain bearings and rod ends, Rod ends, Maintenance free, With internal thread, open design, right hand thread, series SI(A)..TXE-2LS (SKF)



Technical specification

DIMENSIONS, MM

| | |
|----|---------|
| d | 50,000 |
| D | 114,000 |
| D4 | 70,000 |
| B | 35,000 |
| B1 | 60,000 |
| L | 219,000 |
| T | 160,000 |
| T1 | 68,000 |
| C | 31,000 |
| F | M45x3 |

WEIGHT, KG 4,100

MANUFACTURER [SKF](#)

CALCULATION DATA

| | |
|------------------------------|------------|
| Basic dynamic load rating, C | 440,000 kN |
| Basic static load rating, Co | 270,000 kN |