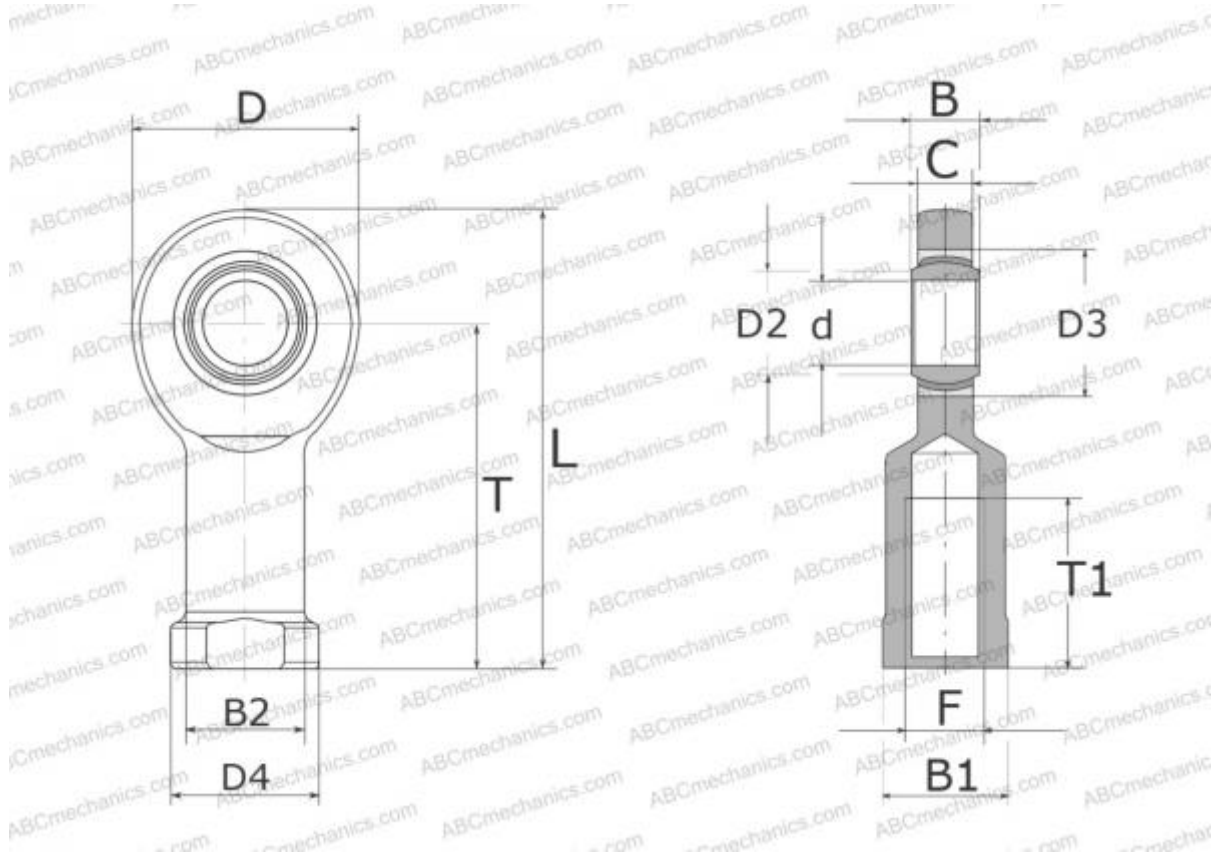


SIL 70 TXE-2LS SKF

Rod ends

TYPE: Plain bearings, Spherical plain bearings and rod ends, Rod ends, Maintenance free, With internal thread, open design, left hand thread, series SIL(A)..TXE-2LS (SKF)



Technical specification

DIMENSIONS, MM

d	70,000
D	162,000
D4	92,000
B	49,000
B1	80,000
L	349,000
T	265,000
T1	80,000
C	43,000
F	M72x4

WEIGHT, KG 10,500

MANUFACTURER [SKF](https://www.skf.com)

CALCULATION DATA

Basic dynamic load rating, C	880,000 kN
Basic static load rating, Co	530,000 kN