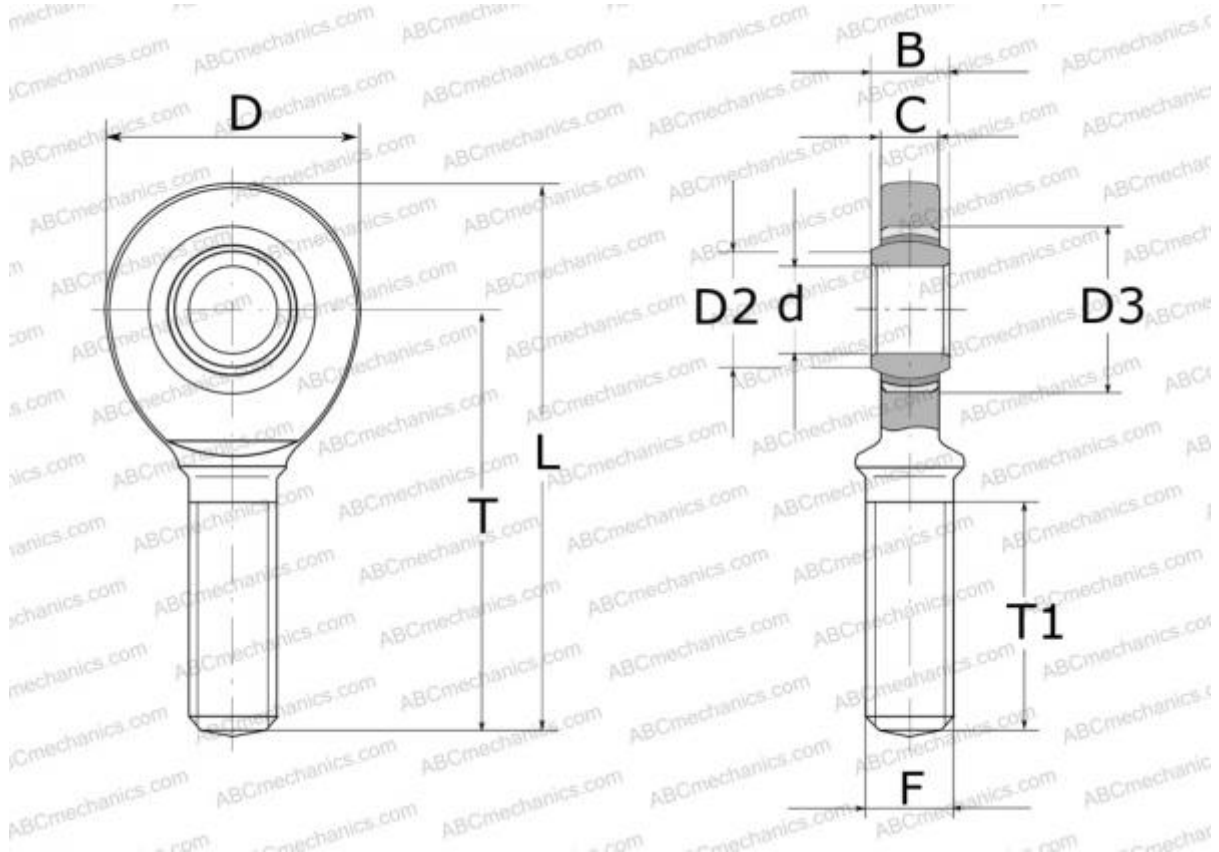


## SA 40 TXE-2LS SKF

Rod ends

TYPE: Plain bearings, Spherical plain bearings and rod ends, Rod ends, Maintenance free, With external thread, open design, right hand thread, series SA(A)..TXE-2LS



### Technical specification

#### DIMENSIONS, MM

d	40,000
D	94,000
B	28,000
L	194,000
T	145,000
T1	90,000
C	24,000
F	M42x3

**WEIGHT, KG** 1,900

**MANUFACTURER** [SKF](#)

#### CALCULATION DATA

Basic dynamic load rating, C	280,000 kN
Basic static load rating, Co	140,000 kN