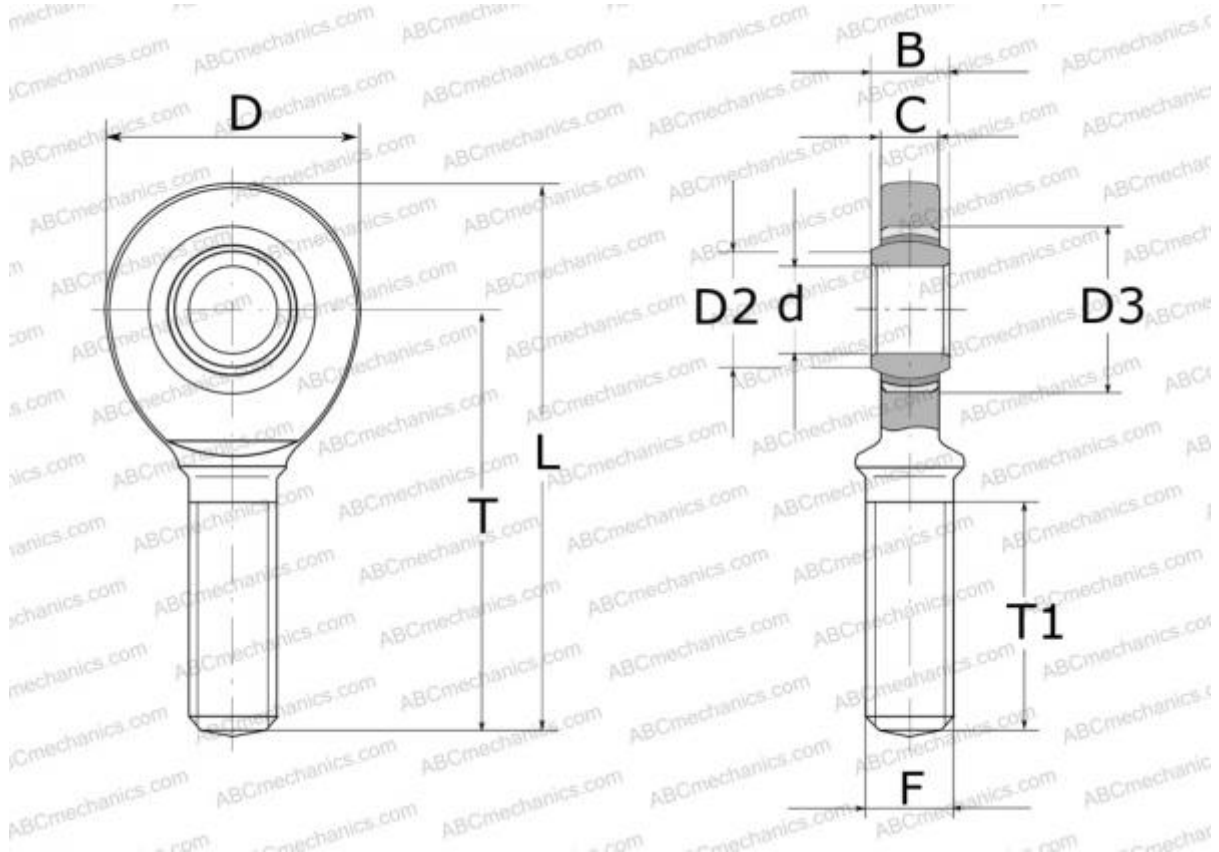


## SAA 45 TXE-2LS SKF

Rod ends

TYPE: Plain bearings, Spherical plain bearings and rod ends, Rod ends, Maintenance free, With external thread, open design, right hand thread, series SA(A)..TXE-2LS



### Technical specification

#### DIMENSIONS, MM

d	45,000
D	104,000
B	32,000
L	217,000
T	163,000
T1	92,000
C	28,000
F	M42x3

**WEIGHT, KG** 2,450

**MANUFACTURER** [SKF](#)

#### CALCULATION DATA

Basic dynamic load rating, C	360,000 kN
Basic static load rating, Co	200,000 kN