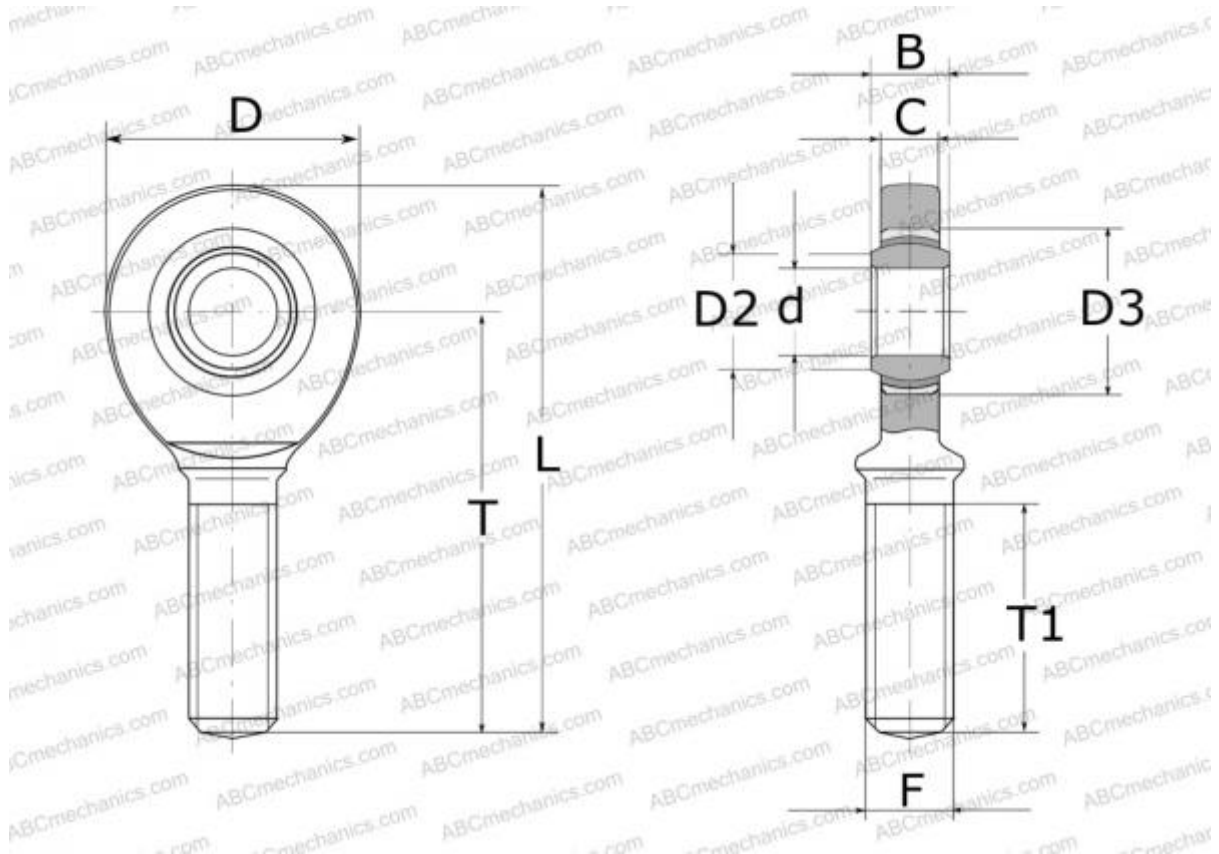


SAA 50 TXE-2LS SKF

Rod ends

TYPE: Plain bearings, Spherical plain bearings and rod ends, Rod ends, Maintenance free, With external thread, open design, right hand thread, series SA(A)..TXE-2LS



Technical specification

DIMENSIONS, MM

d	50,000
D	114,000
B	35,000
L	244,000
T	185,000
T1	104,000
C	31,000
F	M45x3

WEIGHT, KG 3,300

MANUFACTURER [SKF](#)

CALCULATION DATA

Basic dynamic load rating, C	440,000 kN
Basic static load rating, Co	245,000 kN