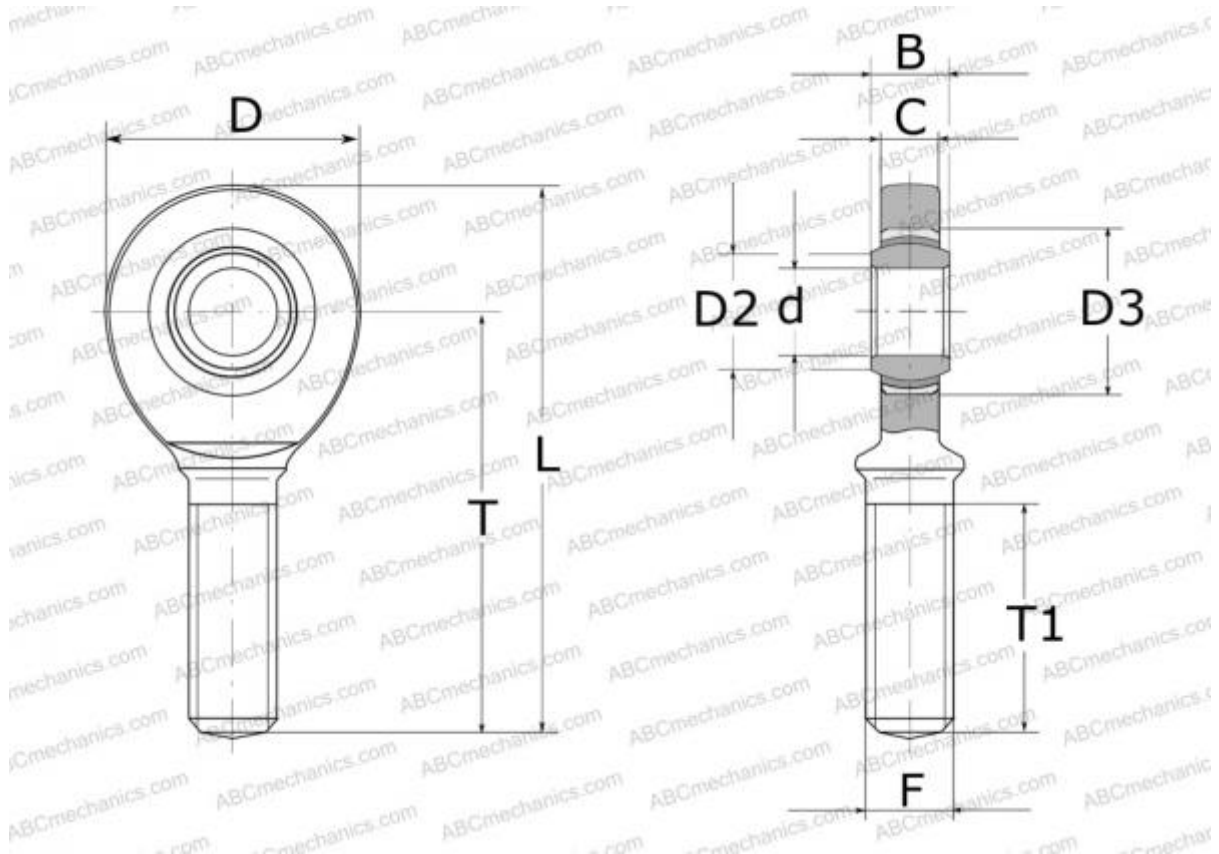


SA 70 TXE-2LS SKF

Rod ends

TYPE: Plain bearings, Spherical plain bearings and rod ends, Rod ends, Maintenance free, With external thread, open design, right hand thread, series SA(A)..TXE-2LS



Technical specification

DIMENSIONS, MM

| | |
|----|---------|
| d | 70,000 |
| D | 162,000 |
| B | 49,000 |
| L | 349,000 |
| T | 265,000 |
| T1 | 132,000 |
| C | 43,000 |
| F | M72x4 |

WEIGHT, KG 10,000

MANUFACTURER [SKF](#)

CALCULATION DATA

| | |
|------------------------------|------------|
| Basic dynamic load rating, C | 880,000 kN |
| Basic static load rating, Co | 490,000 kN |