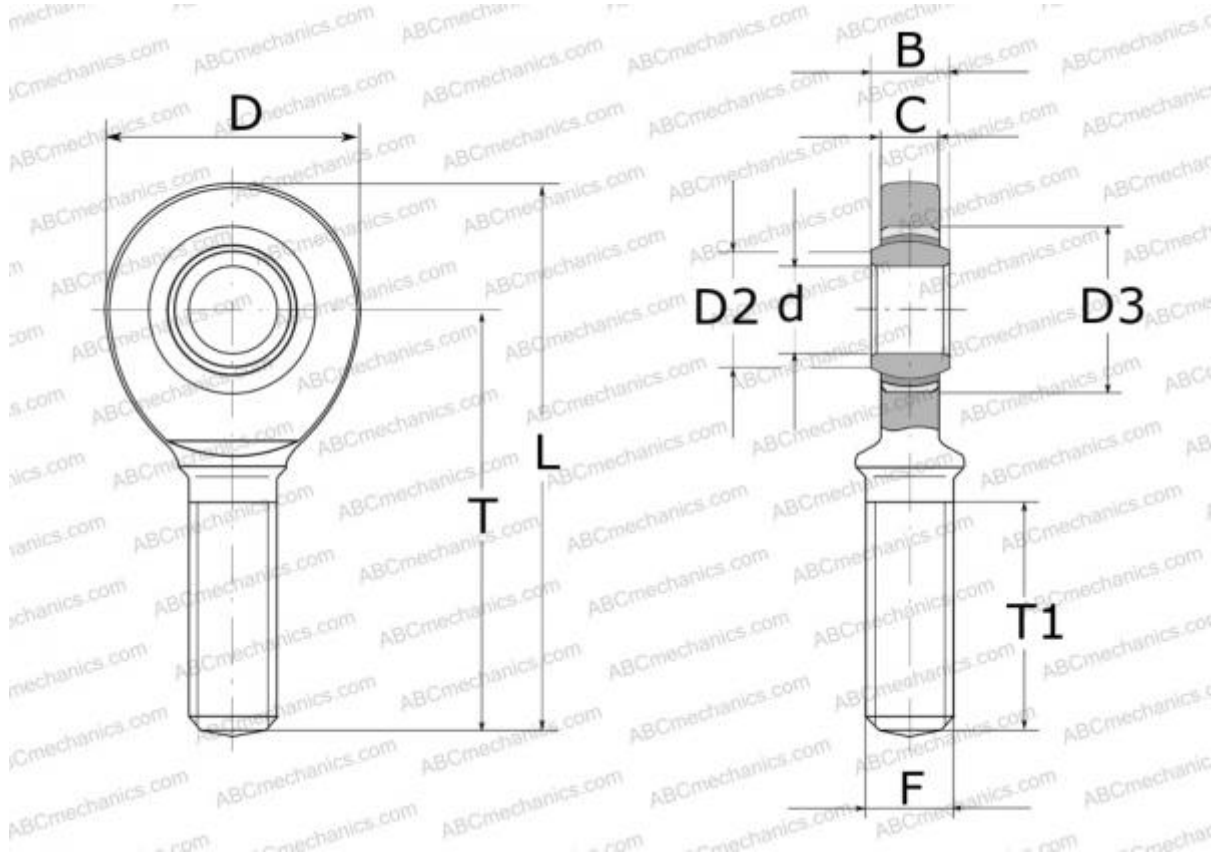


## SALA 50 TXE-2LS SKF

Rod ends

TYPE: Plain bearings, Spherical plain bearings and rod ends, Rod ends, Maintenance free, With external thread, open design, left hand thread, series SAL(A)..TXE-2LS



### Technical specification

#### DIMENSIONS, MM

d	50,000
D	114,000
B	35,000
L	244,000
T	185,000
T1	104,000
C	31,000
F	M45x3

**WEIGHT, KG** 3,300

**MANUFACTURER** [SKF](#)

#### CALCULATION DATA

Basic dynamic load rating, C	440,000 kN
Basic static load rating, Co	245,000 kN