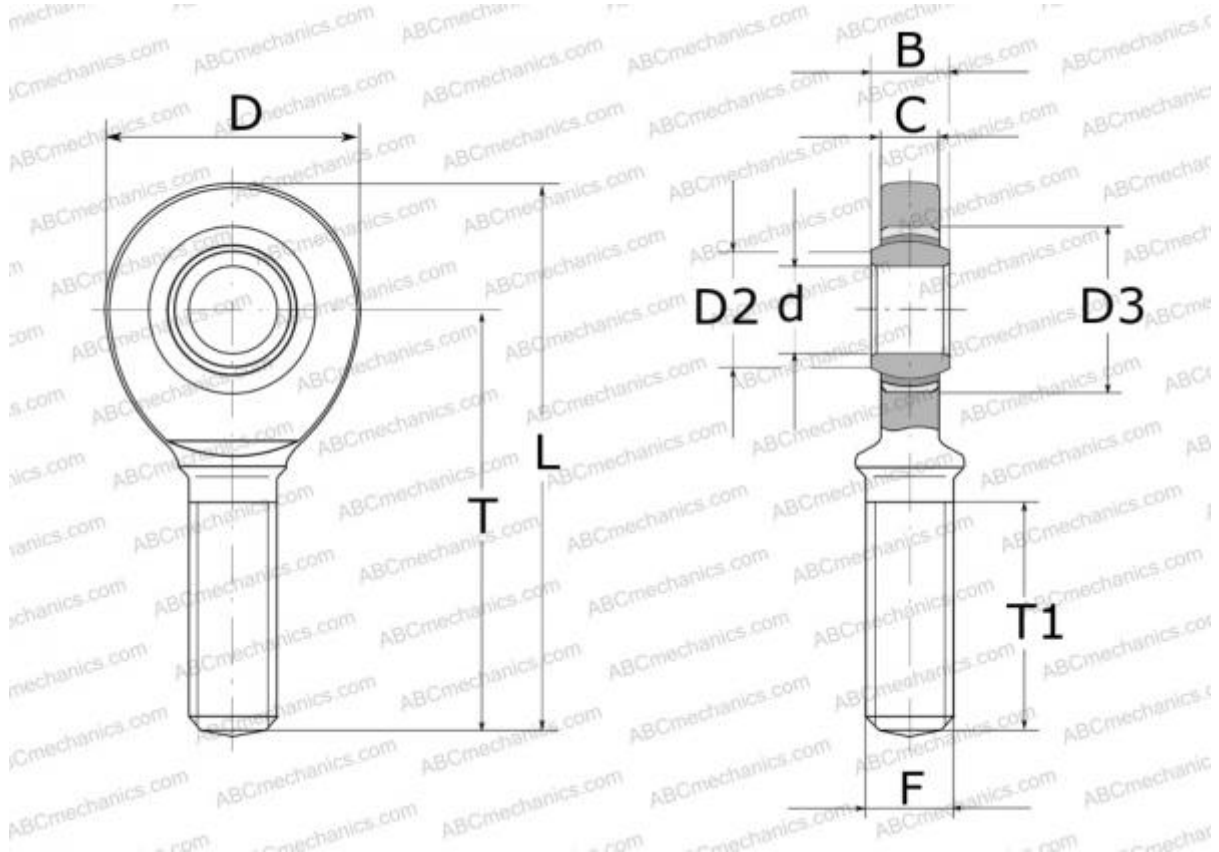


SAL 60 TXE-2LS SKF

Rod ends

TYPE: Plain bearings, Spherical plain bearings and rod ends, Rod ends, Maintenance free, With external thread, open design, left hand thread, series SAL(A)..TXE-2LS



Technical specification

DIMENSIONS, MM

d	60,000
D	137,000
B	44,000
L	296,000
T	225,000
T1	120,000
C	39,000
F	M60x4

WEIGHT, KG 6,250

MANUFACTURER [SKF](#)

CALCULATION DATA

Basic dynamic load rating, C	695,000 kN
Basic static load rating, Co	360,000 kN